



Model No. APL236

1200 Shingles required to cover roof

Set Up - 41"H x 35"W x 26"D.

Weight - 33 LBS.

1.49 Cubic Ft. Pk.

A house which inspires fantasy, this exact replica of a Queen Anne style Victorian house is an aesthetic delight. Its many features include a full wrap-around porch, an exciting three-story turret spire, and ten spacious rooms with a full staircase and elegant high ceilings. This unique use of space allows full access to all rooms and extensive wall space permits decorators infinite possibilities. Easy tab and slot assembly. All parts are pre-cut plywood. No nails or tools needed. Full 1" = 1' scale.

DOLLHOUSE ASSEMBLY INSTRUCTIONS I-236

The Dollhouse Kit contains 12 die-cut wood sheets, numbered 41-52, 1 plastic window sheet, sandpaper and this instruction sheet which includes Parts Layout Diagrams. Have on hand glue suitable for wood, masking tape and pencil. Read carefully through all instructions before assembling.

IDENTIFICATION Important! Before you begin, carefully remove each wood sheet from the box and referring to the Parts Layout Diagrams, mark in pencil the sheet number and letter designation on each separate piece. This simplifies identification of parts. Do not remove pieces from sheet until needed.

ASSEMBLY HINTS

1. Follow instructions in the order presented.
2. The instruction L, R & P (Locate, Remove and Prepare) is stated often. Locate the part on the wood sheet by referring to Parts Layout Diagram. Each part has been given a name, and number for easy reference. Remove part carefully from wood sheet. Save any part located within. Prepare part by sanding lightly, taking care to sand in direction of grain to avoid splintering. Before gluing each part, check for proper fit and positioning.
3. The smooth side of wood piece should face the outside (exterior) of the house.
4. Use care in removing windows from plastic sheet so they do not tear. You may want to use scissors.

ORIENTATION As you face the house from the front, the left side is to your left. From the rear, the left side is to your right.

DECORATING Choose any paint, miniature wallpaper or hardware you desire. It is easier to paint or wallpaper before assembling. Decorate only those parts called for in the step on which you are working. Lay parts on paper and write identification next to each part. Allow parts to dry away from heat.

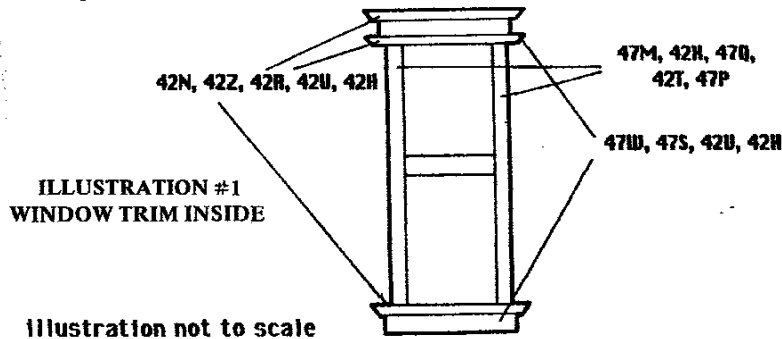
INSTRUCTIONS

A. BASE OF HOUSE

1. LR&P (Locate, Remove and Prepare **first floor** (41A), **left support** (41B), **right support** (41C).
2. Place **floor** (41A) on table upside down (smooth side down) with front towards you. Refer to photograph.
3. Apply glue to tabbed edges of **left support** (41B) and **right support** (41C). Position tabs into floor slots, keeping in mind orientation (left to right) is reversed. Supports will be located perpendicular to base front and approximately $\frac{1}{3}$ and $\frac{2}{3}$ the distance from side edges.
4. LR&P **back floor support** (41D). Apply glue to one long edge and position along back of **floor** against side of left support and back of right support. Support with object until dry.
5. LR&P **trellis pieces: front** (42A), **back of front** (42B), **side** (47CC), **back of side** (47DD), **corner** (47EE), and **back of corner** (47FF). Remove and discard cutouts.
6. Apply glue to tabbed edges of **trellis backs** (42B, 47DD). Position tabs into floor slots along front and side a few inches from edge. Apply glue to bottom and side edges of **trellis back** (47FF). Position between **backs** (42B, 47DD) in slots at angled corner.
7. Apply glue to rough side of **front and side trellis** (42A, 7CC). Position against **backs** (42B, 7DD) keeping right edge (left edge for reversed orientation) and back edge even with **trellis** edges and overlapping at corner trellis.
8. Apply glue to rough side of **back** (47EE). Position between **trellises**. Turn base right side up.
9. LR&P both pieces **trellis trim** (43H), both pieces **trellis trim** (43I), both pieces **trellis trim** (43G). Apply glue to rough side and position at top and bottom edge of assembled **trellis**. Set base aside.

B. WINDOWS AND INTERIOR TRIM

1. LR&P all 3 **turret walls** (42I, 42J, 42K) **right front wall** (43D), **center front wall** (43J) **left side wall** (42L). Remove and discard window cutouts.
2. From plastic sheet, carefully remove 13 same size windows.
3. Glue windows to interior of walls, applying a thin line of glue around outline of window opening. Do not apply glue to center pane strip.
4. LR&P only 10 pieces **window side trim** (47M), 15 pieces **window sill** (42N), only 10 pieces **horizontal trim** (47W).
5. Install window trim on interior of walls (43D), and (43J), following instruction B6 below and illustration #1 completing one window at a time. Note: Be sure to install window trim right side up: Top of right front wall (43D) is short notched edge and bottom of wall is long notched edge. Top of center front wall (43J) is long notched edge and bottom of wall is short notched edge.

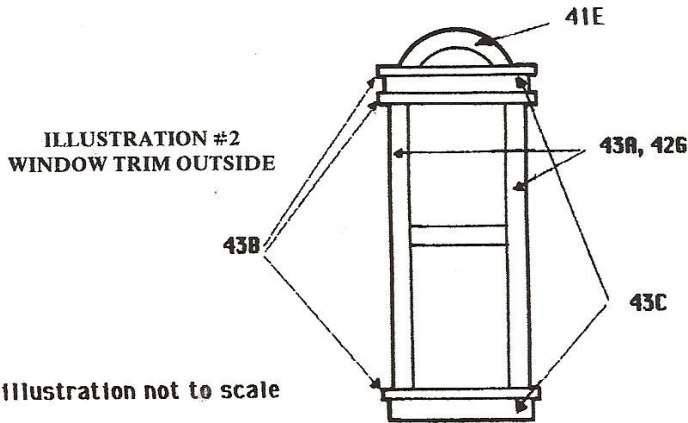


6. Apply glue to 2 side trims. Position them along edge of window opening and even with top of window.
 - Center and glue 2 sills on edge, above and below side trims.
 - Center and glue 2 horizontal trims above and below sills.
 - Center and glue 1 sill on edge, above top horizontal trim.
7. LR&P remaining 16 pieces **window side trim** (47M), 24 pieces **window sill** (42Z), only 16 pieces **horizontal trim** (47W).
8. Install window trim on interior of **walls** (42I, 42J, 42K, 42L) following instruction B6 and illustration #1. Note: Do not confuse top and bottom of walls. Window cutouts are located closer to bottom edge than top edge. Glue **sill** (42Z) with longest edge against wall.
9. LR&P all 5 **turret walls** (42O). Remove and discard cutouts.
10. From plastic sheet carefully remove 5 same size windows and follow instruction B3 for gluing windows.
11. LR&P all 10 pieces **window sides** (42X), remaining 15 pieces **sill** (42Z) remaining 10 pieces **horizontal trim** (47W).
12. Install window trim on interior of **walls** (42O) following instruction B8 and illustration #1.
13. LR&P **back of side peak** (44B), **back of front peak** (44A) and **dormer front** (44E). Remove and discard cutouts.

14. From plastic sheet carefully remove 3 smallest windows, each a dissimilar size square (save two remaining rectangular windows for doors). Follow instruction B3 for gluing windows.
15. LR&P all pieces window trim **sides** (47Q), **sills** (42R) and **horizontal trim** (47S).
16. Install window trim on interior of **side peak** (44B) following instruction B6 and illustration #1.
17. LR&P all pieces window trim **sides** (42T) **sills** (42U) and **horizontal trim** (42V).
18. Install window trim on interior of **front peak** (44A) following instruction B6 and illustration #1.
19. LR&P both pieces **sides** (47P), and only 5 pieces **horizontal** and **sill trims** (42H).
20. Install window trim on interior of **dormer front** (44E) following instruction B6 and illustration #1. Sand trim sufficiently to prevent it from extending past edge of wall.

C. EXTERIOR WINDOW TRIM

1. LR&P all 26 pieces **sides** (43A), only 39 pieces **sills** (43B), only 26 pieces **horizontal trim** (43C), only 15 pieces **arch** (41E).
2. Install window trim on exterior of **walls** (42I, 42J, 42K, 42L, 43D, 43J, 42L) completing one window at a time following instruction B6 and illustration #2.



3. Center and glue **arch** (41E), above top sill.
4. LR&P all 10 pieces **sides** (42G), remaining 15 pieces **sills** (43B), remaining 10 pieces **horizontal trim** (43C), remaining 5 pieces **arch** (41E).
5. Install window trim on exterior of **walls** (42O) following instruction B6 and C3.
6. LR&P **side peak** (44D) and **front peak** (44C); remove and discard cutouts.
7. Apply glue to smooth side of previously trimmed **peak backs** (44B, 44A). With outside edges even, position on wrong side of **side peak** (44D) and **front peak** (44C).
8. LR&P **sills** (43E, 43F). Center and glue **sills** on edge below windows on **side and front peaks**.
9. LR&P all 4 pieces **horizontal trim** and **sides** (42Y), remaining 3 pieces **sill** (42H).
10. Install window trim on exterior of **dormer front** (44E) following instruction B6.

D. DOORS AND DOOR TRIM

1. LR&P both pieces **door front** (50C), both pieces **door back** (50D). Remove and discard rectangular cutouts but save diamond shaped cutouts within.
2. From plastic sheet, carefully remove 2 remaining same size windows, and follow instruction B3 for gluing windows.
3. Apply glue to rough side of **door fronts** (50C), and back of diamond cutouts. Position fronts and cutouts on **door backs**. See photograph.
4. LR&P both pieces **sides** (43K), all 3 pieces **top and sills** (43L). Install door trim on interior of wall (43D) following instruction B6, eliminating bottom trim.
5. LR&P both pieces **sides** (43M), all 3 pieces **top and sills** (43N), **decorative trim** (43O). Install door trim on exterior of wall (43D) following instruction B6, eliminating bottom trim and adding **decorative trim** (43O) above top sill.

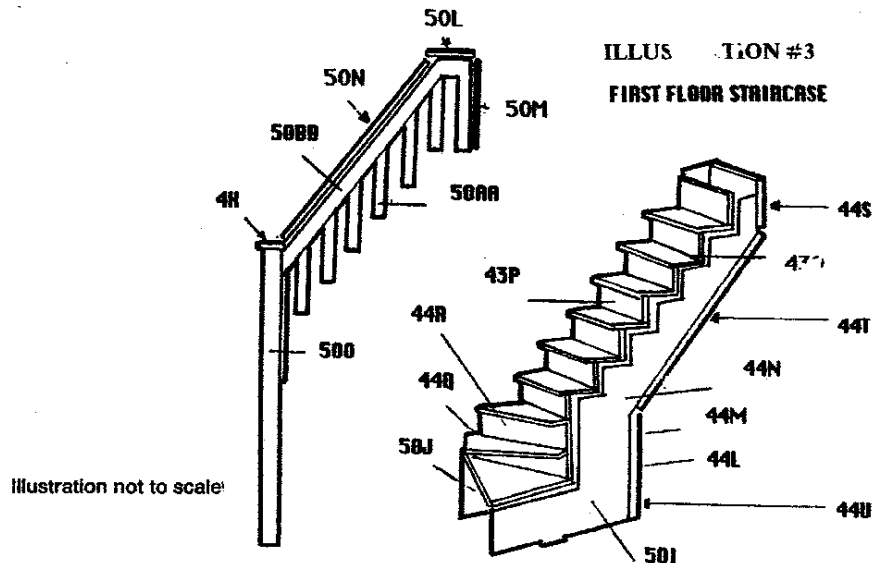
E. 1st AND 2nd FLOOR WALLS, 2nd AND 3rd FLOOR

1. Locate **right front wall** (43D), **center front wall** (43J), **left side wall** (45A), **back side wall** (45B). Note: When positioning walls (45A) and (45B) center slots should be closer to bottom edges than top edges.
2. Apply glue along bottom edges of walls and insert into slots in first floor. Support walls with object to hold.
3. Locate turret section walls: **far right** (45D), **right** (42K), **center** (42J), **left** (42I) **far left** (45C) Note: Do not confuse top and bottom of turret section walls. Windows cutouts are located closer to bottom edge than top edge.

4. Beginning with **far right wall** (45D) apply glue to bottom tabbed edge (single tab at center) and right side edge of **turret walls** (42K, 42J, 42I) and position in floor slots. Apply glue to bottom tabbed edge (single tabbed edge at center) and both side edges of **far left wall** (45C) and position in floor slots to complete turret. See photograph. Note: From left to right, walls should be positioned 45C, 42I, 42J, 42K, 45D.
5. Locate back extension sections: **right** (45E), **center** (42L), **left** (45F). Install from left to right positioning walls 45F, 42L, 45E with large slot found on 45E positioned towards front of house.
6. LR&P **center right wall** (44F). Apply glue to longest edge of center right wall (44F). Apply glue to right edge of assembled center front wall (43J). Position into place between **center front wall** (43J) and **right front wall** (43D) at second floor only.
Note: Begin next section working from rear of house. Orientation reversed.
7. LR&P 1st floor interior walls: **center** (50A), **side** (50B).
8. Apply glue to bottom edge (that edge with two notches) and right edge of **side wall** (50B). Position into floor slots. Wall is parallel with front walls of house.
9. Apply to bottom edge (that edge with two notches farthest apart) and left edge (that edge with angled cut) of **center wall** (50A). Position into floor slots. This wall is parallel with side walls of house and up against back of center front wall.
10. LR&P **second floor** (44I). Apply glue to top edges of interior walls and front and **left side** (orientation reversed) of **second floor** (44I). Lower floor into position onto interior walls. Support.
11. LR&P **right side wall** (47A) and **back wall** (42M).
12. Apply glue to long front edge and unnotched top edge of **right side wall** (42M). Apply glue to **right** notched edges of **first and second floors**, and **right** edge of **front trellis**. Place **wall** into position.
13. Apply glue to long right side edge and unnotched top edge of **back wall** (42M). Apply glue to **left** notched edges of **first and second floors** and back edge of **front trellis**. Place **wall** into position.
14. LR&P second floor interior walls: **right** (47C), **center** (47D) and **left** (47E).
15. Apply glue to bottom double tabbed edge and right edge of **right trellis** (47C) and place wall into position parallel with front walls.
16. Apply glue to bottom triple tabbed edge and left edge of **center trellis** (47E) and place into position perpendicular with front walls.
17. Apply glue to farthest spaced double tabbed edge and left side edge of **center wall** (47C) and place into position parallel with front walls.
18. LR&P **third floor** (46A).
19. Apply glue to top edges of all second floor walls. Place **third floor** (46A) into position. Face house from front again.
20. LR&P **door stop** (44Y) and install on first floor at front door opening.

F. STAIRCASES AND BANISTERS, 1st FLOOR

1. LR&P first floor staircase: **sides** (50I, 50J); **backs** (44S, 44T, 44U); **first tread** (44L); **second tread** (44M); **third tread** (44N); 6 pieces of **tread** (43Q); **second riser** (44Q); **third riser** (44R) and 7 pieces of **riser** (43P). Note: Tabs on ends of staircase sides determine bottom of staircase.
2. Apply glue to back edges of **sides** (50I, 50J) and position **backs** (44S, 44T, 44U) over **sides**, not between, keeping tops and bottoms flush with floor and ceiling edges of staircase. Follow illustration #3.



3. Apply glue to tabbed edges of **first tread** (44L) and top edge of first stair extending from one side. Slide **first tread** (44L) into position between sides.
4. Apply glue to tabbed edges of **second and third treads** (44M), (44N) and top edges of second and third stair extending from one side. Slide **second and third treads** into position between sides.
5. Apply glue to top and bottom edges of **second riser** (44Q) and front edge of sides at second stair and position under **second tread** following same angle and allowing tread to overhang approximately 1/4".
6. Apply glue to top and bottom edge of **third riser** (44R) and front edge of sides at third stair and position under **third tread** (44N).
7. Apply glue to bottom edge of a **riser** (43P) and front edge of sides at fourth stair. Place into position. Apply glue to top edge of sides at fourth stair and top edge of riser. Slide a **tread** (43Q) into position.
8. Continue gluing risers and treads into place working from the bottom up and completing one stair at a time. When complete, set staircase aside.

LARGE BANISTER 1st FLOOR

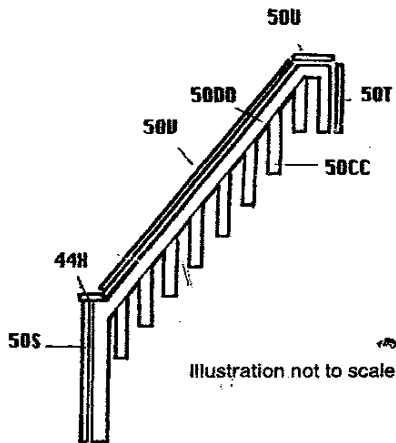
9. LR&P **baluster** (50AA), **banister** (50BB), **side trim** (50O), **back trim** (50M), **handrails** (50N, 50L) and only one piece **cap** (44X).
10. Apply glue to rough side of **banister** (50BB). Position on smooth side of **baluster** (50AA). Note: Now that baluster and banister have been glued together they will be referred to as "**banister**." Follow illustration #3.
11. Apply glue to back edges of "**banister**." Center **back trim** (50M) into position with bottom edges even with bottom edges of "**banister**."
12. Apply glue to smooth side of bottom post of banister. With top edges even, install **side trim** (50O) into position. Bottom of side trim will extend far beyond bottom of "**banister**" post.
13. Apply glue to top edges of "**banister**." Center **handrails** (50N, 50L) and **cap** (44X) into position.
14. Apply glue to bottom tabbed edges, top edges and left side of staircase. Place into position between floors behind stairwell.

SMALL BANISTER, 1st FLOOR

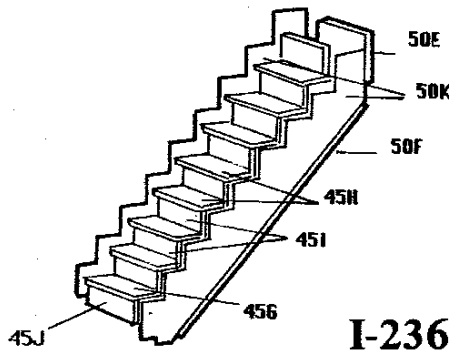
15. LR&P **baluster** (44V), **banister** (44W), **trim** (50P) and **handrails** (50Q, 50R).
16. Apply glue to smooth side of **banister** (44W). Position on rough side of **baluster** (44V).
17. Apply glue to shorter side edge of "**banister**." Center **trim** (50P) into position.
18. Apply glue to top edges of "**banister**." Center **handrails** (50Q, 50R) into position.
19. Apply glue to left, longest, edge of small assembled banister and front edges of staircase. Glue banister on edge to interior wall and against first and second stairs.
20. Apply glue to bottom edge of all banister posts. Glue to top of stair treads at right side beginning with bottom post on fourth tread.

G. STAIRCASES AND BANISTERS, 2nd FLOOR

1. LR&P both pieces **staircase sides** (50K) **staircase backs** (50E, 50F) **first tread** (45G), **first riser** (45J), all 7 pieces of **tread** (45H) all 8 pieces of **riser** (45I).
2. Glue **backs** (50E, 50F) to **sides** (50K) following instruction F2 and illustration #4.



**ILLUSTRATION #4
SECOND FLOOR STAIRCASE**



3. Apply glue to front edge of **sides** at first stair. Place **first riser** (45J) into position.
4. Apply glue to top edge of **sides** and **riser** at first stair. With notch at right front as you face staircase, slide **first tread** (45G) into position.
5. Apply glue to front edge of **sides** at second stair. Place a **riser** (45I) into position. Apply glue to top edge of **sides** and **riser** at second stair. Slide a **tread** (45H) into position.
6. Continue gluing risers and treads into position working from the bottom up and completing one stair at a time. When completed, set staircase aside.

- 7. LR&P baluster (50CC), banister (50DD), front trim (50S), back trim (50T), handrails (50U, 50V), and remaining cap (44X).
- 8. Apply glue to rough side of banister (50DD). Position on smooth side of baluster (50CC). Follow illustration #4.
- 9. Apply glue to front and back edges of "banister." Center front (50S) and back trim (50T) into position.
- 10. Apply glue to top edges of banister. Center handrails (50U, 50V) and cap (44X) into position.
- 11. Apply glue to bottom edges of all "banister" posts. Glue to top of stair treads at right side beginning with bottom post on fourth tread.

SMALL BANISTER, 2nd FLOOR

- 12. LR&P baluster (47K) both pieces horizontal trim (47J) handrail (50Y) both pieces end trim (50 EE). Remove and discard cutouts.
- 13. Apply glue to rough side of horizontal trims (47J). Position on top and bottom edges of smooth side of baluster (47K).
- 14. Apply glue to side edges of "banister." Center end trims (50EE) into position.
- 15. Apply glue to handrail (50Y). Center and position on "banister."
- 16. Apply glue to bottom of "banister" and install untrimmed side along right and left side of stairwell opening and flush with back of first floor banister.

BANISTER 3rd FLOOR

- 17. LR&P baluster (47G), both pieces horizontal trim (47F), handrail (50X) and end trim (50FF). Remove and discard cutouts.
- 18. Apply glue to rough side of horizontal trims (47F). Position on top and bottom edges of smooth side of baluster (47G).
- 19. With smooth side facing you, apply glue to right edge of "banister." Center end trim (50FF) into position.
- 20. Apply glue to handrail (50X). Center and position on banister.
- 21. LR&P baluster (47I), 2 pieces horizontal trim (47H), handrail (50W), and end trim (50GG). Remove and discard cutouts.
- 22. Continue construction banister following instructions G18 and G19, applying glue and end trim to left edges instead of right, then instruction G20.
- 23. LR&P baluster (50II), both pieces horizontal trim (50JJ) and handrail (50HH). Remove and discard cutouts.
- 24. Continue construction banister following instructions G18, and G20.
- 25. Apply glue to both side edges of smallest banister (50II). Position backs of untrimmed ends of medium (47I) and large banister (47G) on either side of smallest banister forming right angles.
- 26. Apply glue to bottom of banisters and install along front and sides of stairwell opening on third floor with the end of large banister flush with back of second floor banister.

H. PORCH

- 1. LR&P all 4 pieces porch supports (49A), all 6 pieces porch supports (49B).
- 2. Apply glue to tabbed edges and bottom ends of posts of porch support (49A) and insert into slots in first floor (41A) and slots in center front wall (43J), left side wall (45A) and back side wall (45B).
- 3. Apply glue to tabbed edges and bottom ends of posts of porch supports (49B) and insert into slots in first floor and slots in right front wall (43D) and turret walls (42I, 42J, 42K).
- 4. LR&P 20 pieces porch posts (46C).
- 5. Apply glue to rough side of posts (46C) and position one on each smooth and rough side of porch support (49A) posts with all top edges flush.
- 6. LR&P front arch (49C). Apply glue to front edges of supports (49A) and posts (46C) at porch front and place front arch (49C) into position.
- 7. LR&P side arch (49H). Apply glue to front edges of supports and posts at side and place side arch (49H) into position.
- 8. LR&P corner arch (49D). Apply glue to front edges of supports (49A) and posts (46C) at turret corner and place corner arch (49D) into position.
- 9. LR&P all 8 pieces porch trim (50G). Apply glue to rough side of trim (50G). Place into position vertically on all arches at top of arch posts, except those posts to either side of front door. See photograph.

RAILINGS

- 10. LR&P porch railings: right side (46R), rear (46S), all 5 pieces front and side railings (46X). Remove and discard cutouts. LR&P railing horizontal trim (46T, 46U) all 10 pieces trim (46Z), handrails (46H, 46I) and all 5 pieces handrail (46G).
- 11. Apply glue to rough side of trim (46T, 46U, and 46Z). Center and position at top and bottom edges on smooth side of railings (46R, 46S, 46X) with edges flush.
- 12. Apply glue to top edges of railings. Refer to photograph; take note of cutout shapes to determine top of railings. Center and position handrails (46H, 46I, 46G) into place keeping back edge flush with railing back.

Nt. cont.

13. LR&P porch railing corner (46Y) and both pieces turret railing (46V). Remove and discard cutouts. LR&P both pieces horizontal trim (46J), all 8 pieces horizontal trim (46W), and handrails (46F, 46D, 46E).
14. Apply glue to rough side of trim (46J). Center and position on smooth side of railing (46Y) with edges even. Side edges should extend past either side of railing.
15. Apply glue to top edges of "railings." Center and position handrail (46F) into place keeping back edge, shorter length, flush with railing back.
16. Apply glue to rough side of 2 pieces of trim (46W). Place on smooth side of one railing (46V) with top edges and right side edges even.
17. Apply glue to top edges of "railing." Position handrail (46D) into place keeping back edge, shorter length, flush with railing and right side edges even.
18. Repeat instructions H17 and H16 using remaining 2 pieces of trim (46W), railing (46V) and handrail (46E) keeping all left side edges even.
19. Apply glue to bottom and side edges of each "railing." Position each "railing" between porch posts with front edge of handrail even with front edge of front arches.

FRONT STEPS

20. LR&P first, second and third steps (45M, 45O, 45Q) and first through fourth risers (45N, 45P, 45R, 45S).
21. Apply glue to one long edge of first riser (45N). Position under long unnotched edge of first step (45M) at edge keeping front of riser even with front edge of step. Apply glue to tabbed edge of first step (45M). Position into lowest pair of slots in assembled front trellis (42A).
22. Apply glue to one long unnotched edge of second riser (45P). Position under long unnotched edge of second step (45O) at edge keeping front of riser even with front edge of step.
23. Apply glue to both tabbed edges of assembled second step and position into front trellis and the step below.
24. Repeat using third step (45Q) and third riser (45R).
25. LR&P both backs (45AA), right side (45BB), left side (45CC), both back tops (45U, 45V), right top (45X), left top (45Y), both fronts 45W).
26. Apply glue to one long edge of each back (45AA) and straight, unslanted, side edges of assembled steps. Position back on edge along sides of steps, against trellis.
27. Apply glue to front edge of backs and along remaining side edges of steps. Place sides (45BB, 45CC) into position.
28. Apply glue to top edges of backs and sides. Center and place back tops (45U, 45V) into position with cutouts towards front. Center and place tops (45X, 45Y) into position.
29. Apply glue to front edges of sides. Center and place fronts (45W) into position under tops.
30. LR&P both center posts (45L), all 4 pieces posts (45K), flat roof (45T), and arch (49E). Apply glue to rough sides of 2 posts (45K). Center and position on both sides of each center post (45L).
31. Apply glue to all short edges at one end of each "post" and position in slots located in back tops (45U, 45V).
32. Apply glue to all short edges at top end of each "post," and tabbed edge of roof (45T). Position roof slots over posts and with roof tabs into slots on front arch (49C).
33. Apply glue to front edges of "posts" and position arch (49E) against "posts."
34. LR&P all 4 pieces porch trim (50H). Position under flat roof at arches (49C, 49E).

I. ROOFS

1. LR&P porch roofs: front (48A), corner (49F) and left (49G). Apply glue to top edges of supports and arches and place roofs into position carefully lining up corner.
2. LR&P porch roof peak (49N), (remove and discard cutouts), roof peak back (49O), small roofs (48C, 48D), left eave (49R) and right eave (49Q).
3. Apply glue to rough side of peak (49N) and position with edges even, on smooth side of peak back (49O).
4. Apply glue to longest tabbed edges of "peak" and position on edge into slots located in flat roof (45T).
5. Apply glue to top edges of "peak" and long slanted edges of small roofs (48C, 48D). Position small roofs over "peak" and porch roof front.
6. Apply glue to rough sides of eaves (49Q, 49R), and position under small roofs at peak front.
7. Locate previously assembled front (44C) and side (44D) "peaks." Apply glue to bottom tabbed edges and position into slots located in third floor. See photograph.
8. LR&P roofs, right side (48B), back (48F), center (51A), left side (52A), front (48E) and side (48G).
9. Apply glue to right tabbed edge of front peak and right side edge of third floor. Place right roof (48B) into position. Note: Large slots fit into third floor tabs.
10. Apply glue to rear tabbed edge of side peak and back edge of third floor and place back (48F) into position. Note: Large slots fit into third floor tabs.
11. Apply glue to two tabbed edges of center roof (51A) and tabbed edge of back roof (48F). Place center roof and left side roof (52A) into position. Note: Move these three pieces until they fit smoothly.
12. Apply glue to tabbed edges of front (48E) and side (48G) and to front side edge of third floor, and position on peaks between assembled roofs.
13. LR&P front peak eaves (48I, 48K) and side peak eaves (48J, 48L) and position under roofs.

J. 3rd FLOOR TURRET, DORMER, CHIMNEY, AND TRIM

1. LR&P third floor turret sections: ceiling (52B), all 8 pieces roof (48H), all 10 pieces side trim (51D), both pieces end trim (51E), both pieces end trim (51F), both pieces top trim (51C), decorative trim (52V), center wall (52D), right wall (52E), left wall (52F) and 5 pieces previously trimmed turret walls (42O).

Note: Begin by constructing third floor section of turret upside down. Orientation reversed.

2. Place ceiling (52B) on table upside down, (smooth side down). Apply glue to tabbed edge of center wall (52D) and position in the straight slot, not angled slot, in ceiling with the one open side. Apply glue to short tabbed edges and short side edges of right (52E) and left (52F) walls and position in straight slots to either side of center wall.

3. Apply glue to top tabbed edges and sides of turret walls (42O). Remember: Arched exterior trim indicates top and outside of wall. Place into position upside down in ceiling in straight slots. Allow to dry.

Turn turret section right side up.

4. Apply glue to bottom tabbed edges and side edges of all sections roof (48H) and position into angled slots in ceiling with points meeting in center. Glue 2 pieces top trim (51C) together and glue them to point of turret roof. Glue decorative trim (52V) on edge to top trim.
5. Apply glue to bottom tabbed edges of walls and position on assembled house in third floor slots and between the center and left roof.
6. Apply glue to rough side of side trim (51D). Place into position at top edge of second floor walls (42I, 42J, 42K) under third floor and top edge of all third floor walls (42O) and (52E, 52F).
7. Apply glue to rough side of end trims (51E) and (51F). Place into position at top edges of second floor walls (45C, 45D) and either side of third floor wall (52D).

DORMER

8. LR&P dormer pieces: both **sides** (51K, 51N), **left and right roofs** (51L, 51M), **support** (51G), both **eaves** (51I), **curved trim** (51H), 3 pieces **trim** (51J), previously trimmed **dormer front** (44E).
9. Apply glue to tabbed edges of **roofs** (51L, 51M), and position in slots located in assembled **center roof**.
10. Apply glue to medium length edge of **sides** (51K, 51N) and position to back of **dormer front** (44E) at sides.
11. Apply glue to all top, back, and bottom edges of "**dormer**." Place into position under **roofs**, against **center roof**.
12. Apply glue to top edges of **support** (51G) and position under **roofs** in front of and up against window trim.
13. Apply glue to rough sides of **eaves** (51I) and position flat under roofs and in front of **support with bottom edges even**.
14. Apply glue to back of curved trim (51H). Place into position inside house on center roof above dormer opening.
15. Apply glue to back of three trims (51J). Place two pieces into position on either side of dormer opening below curved trim and third piece centered below dormer opening.

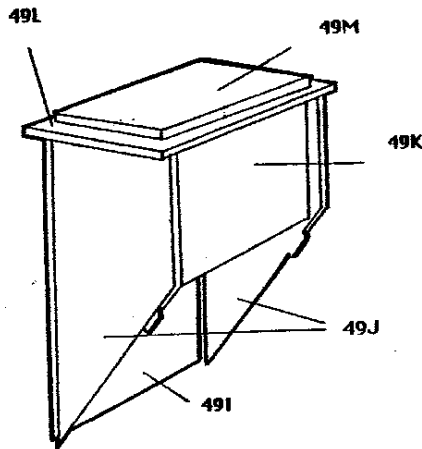
CHIMNEY

14. LR&P chimney pieces: **front** (49I), both pieces **sides** (49J), **back** (49K), **top** (49L) and **cap** (49M).
15. Apply glue to longest edge of **sides** (49J) and position back of **front** (49I), at sides. See illustration #5.

ILLUSTRATION #5

CHIMNEY

Illustration not to scale



I-236

16. Apply glue to 2 short edges of **back** (49K) and position between **sides** at back.
17. Apply glue to all top edges of chimney. Center rough side to **top** (49L) into position. Apply glue to rough side of **cap** (49M) and center on **top**.
18. Apply glue to tabbed edges and bottom edges of chimney and position into slots located in assembled center roof.

ROOF TRIM

19. LR&P roof trim: **door scallop** (51I), **door top trim** (51O), **front peak scallop** (51KK), both pieces **front and side peak top trim** (51Q), **side peak scallop** (51JJ), **dormer scallop** (51HH), **dormer top trim** (51P), **main roof scallop** (51GG) and both pieces **end trim** (52W).
20. Apply glue to bottom edge of each **roof scallop** (51I, 51KK, 51JJ, 51HH) and position on edge of peaks of roofs.
21. Apply glue to back of each **roof top trim** (51O, 51Q, 51P), and position on front edge of each peak. Center and glue **end trims** (52W) to both side ends of main roof scallop. Begin working from rear of house. Orientation reversed.
22. LR&P both **roof supports** (52C). Apply glue to longest edge and tabbed edges and place into position in slots located in third floor.
23. LR&P trim for back edges: **floors** (52L, 52M, 52N, 52O), both pieces **walls** (52P), both pieces **walls** (52Q), 3 pieces **walls** (52R), **roof** (52S, 52T), both pieces **support** (52U) and **peak** (51B).
24. Apply glue to back edges of second and third floors. Center and position **trim** (52L, 52M, 52N, 52O) to edges. Apply glue to back edges of first and second floor walls. Position **trim** (52P, 52Q, 52R) to edges. Apply glue to back edges of **peak and roof supports**. Center and position **trim** (52U) to edges of supports, and **trim** (51B) to top edge of main peak.
25. Apply glue to outside edges of **roof trim** (52S, 52T). Position on rough side of back edges of right and back roof.

Face your beautiful dollhouse from front and admire a job well done.

PARTS DESCRIPTION TO ACCOMPANY SCHEMATICS
I-236

No.	Description	Qty.
Parts Layout Diagram #41		
A	first floor	1
B	left floor support	1
C	right floor support	1
D	back floor support	1
E	arch trim	18
Parts Layout Diagram #42		
A	trellis front	1
B	back of trellis front	1
G	window side trim	10
H	window side trim	1
I	turret wall	1
J	turret wall	1
K	turret wall	1
L	turret wall	1
M	back wall	1
N	window sills	15
O	turret walls third floor	5
R	window sills	3
T	window side trim	3
U	window sills	3
V	window horizontal trim	2
X	window side trim	10
Y	window side trim	4
Z	interior turret wall window sills	39
Parts Layout Diagram #43		
A	window side trim, exterior	26
B	window sills, exterior	54
C	window horizontal trim, exterior	1
D	right front wall	1
E	window sills	2
F	window sills	2
G	trellis trim	2
H	trellis trim	2
I	trellis trim	2
J	center front wall	1
K	door side trim	2
L	door trim top and sills	3
M	door side trim	2
N	door trim top and sills	3
O	door decorative trim	1
P	first floor staircase risers	7
Q	first floor staircase treads	6
Parts Layout Diagram #44		
A	back of front peak	1
B	back of side peak	1
C	front peak	1
D	back peak	1
E	dormer front	1
F	center right wall	1
I	second floor	1
L	first tread, first floor staircase	1
M	second tread, first floor staircase	1
N	third tread, first floor staircase	1
Q	second riser, first floor staircase	1
R	third riser, first floor staircase	1
S	stair backs, first floor staircase	1
T	stair backs, first floor staircase	1
U	stair backs, first floor staircase	1
V	small banister, first floor staircase	1
W	small baluster, first floor staircase	1
X	banister caps	2
Y	doorstop	1
Parts Layout Diagram #45		
A	left side wall	1
B	back side wall	1
C	far left turret wall	1
D	far right turret wall	1
E	right back extension	1
F	left back extension	1
G	first tread, second floor staircase	1
H	treads, second floor staircase	7
I	risers, second floor staircase	8
J	first riser, second floor staircase	1
K	posts	4
L	center posts	2
M	first step, front steps	1
N	first riser, front steps	1
O	second step, front steps	1
P	second riser, front steps	1
Q	third step, front steps	1
R	third riser, front steps	1
T	flat roof	1
U	back top, front steps	1
V	back top, front steps	1
W	front, front steps	2
X	right top, front steps	1
Y	left top, front steps	1
AA	backs, front steps	2
BB	right side, front steps	1
CC	left side, front steps	1
Parts Layout Diagram #46		
A	third floor	1
C	porch posts	20
D	railing handrail, turret	1
E	railing handrail, turret	1
F	railing handrail, corner	1
G	railing handrail	1
H	railing handrail, back	1
I	railing handrail	1
J	railing trim	2
R	railing	1
S	railing	1
T	railing trim	2
U	railing trim	2
V	railing	2
W	railing trim	4
X	railing	6
Y	railing	1
Z	railing trim	10

Parts Layout Diagram #47		
A	right side wall	1
C	right interior wall, second floor	1
D	center inte wall, second floor	1
E	left interior wall, second floor	1
F	horizontal trim, banister, third floor	2
G	baluster, third floor	1
H	horizontal trim, banister, third floor	2
I	baluster	1
J	horizontal trim, banister, second floor	2
K	baluster, second floor	1
M	window side trim	26
P	window side trim	2
Q	window side trim	2
S	window sills	2
W	horizontal window trim	36
CC	trellis side	1
DD	trellis, back of side	1
EE	trellis, corner	1
FF	trellis, back of corner	1
Parts Layout Diagram #48		
A	porch roof front	1
B	roof right	1
C	small roof	1
D	small roof	1
E	roof front	1
F	roof back	1
G	roof side	1
H	turret roof	8
I	peak eve, front	1
J	peak eve, side	1
K	peak eve, front	1
L	peak eve, side	1
Parts Layout Diagram #49		
A	porch support	4
B	porch support	6
C	front arch	1
D	corner arch	1
E	front slap arch	1
F	porch roof, corner	1
G	porch roof, left	1
H	side arch	1
I	chimney front	1
J	chimney sides	2
K	chimney back	1
L	chimney top	1
M	chimney cap	1
N	porch roof peak	1
O	roof peak, back	1
Q	right eve, porch roof	1
R	left eve, porch roof	1
DD	corner arch posts	2
Parts Layout Diagram #50		
A	center interior wall, first floor	1
B	side interior wall, first floor	1
C	door front	2
D	door back	2
E	staircase back, second floor	1
F	staircase back, second floor	1
G	porch trim	6
H	staircase side, first floor	1
J	staircase side, first floor	1
K	staircase side, second floor	1
L	handrail	1
M	back trim	1
N	handrail	1
O	side trim	1
P	trim, first floor banister	1
Q	handrail, first floor banister	1
R	handrail, first floor banister	1
S	front trim, banister	1
T	back trim, banister	1
U	handrail	1
V	handrail	1
W	handrail	1
X	handrail	1
Y	handrail	1
AA	baluster, first floor staircase	1
BB	baluster, first floor staircase	1
CC	baluster, second floor staircase	1
DD	banister, second floor staircase	1
EE	end trim, sm. banister, second floor	2
FF	end trim, sm. banister, second floor	2
GG	end trim	2
HH	handrail	1
JJ	horizontal trim	2

Parts Layout Diagram #51		
A	center roof	1
B	peak	1
C	top trim, turret	2
D	side trim, turret	10
E	end trim, turret	2
F	end trim, turret	2
G	dormer support	1
H	dormer curved trim	1
I	dormer eaves	2
J	dormer trim	3
K	dormer side	1
L	dormer left roof	1
M	dormer right roof	1
N	dormer side	1
O	door top trim	1
P	dormer top trim	1
Q	front and side peak top trim	2
GG	main roof scallop	1
HH	dormer scallop	1
II	door scallop	1
JJ	side peak scallop	1
KK	front peak scallop	1
Parts Layout Diagram #52		
A	left side roof	1
B	ceiling	1
C	roof support	2
D	center wall, turret fourth floor	1
E	right wall, turret fourth floor	1
F	left wall, turret fourth floor	1
L	back edge trim, floor	1
M	back edge trim, floor	1
N	back edge trim, floor	1
O	back edge trim, floor	1
P	back edge trim, wall	2
Q	back edge trim, wall	2
R	back edge trim, wall	3
S	back edge trim, roof	1
T	back edge trim, support	2
U	decorative trim	1
V	decorative trim, main roof scallop	2

PARTS SCHEMATICS I-236

