

HOW TO ASSEMBLE THE "FIRST LADY - 1/2" SCALE"

THE 1/2" SCALE FIRST LADY HAS BEEN DESIGNED, BUILT AND DISPLAYED WITH PRIDE BY ALL OF US AT REAL GOOD TOYS.

EVEN THE INSTRUCTIONS FOR THIS KIT HAVE BEEN PREPARED WITH MORE CARE THAN ANY OTHERS THAT WE HAVE DONE. WE HOPE YOU FIND THAT THEY FACILITATE YOUR ASSEMBLY OF THE "FIRST LADY" AS MUCH AS WE ANTICIPATE.

PLEASE REMEMBER THAT IT IS OF GREAT CONCERN TO US THAT YOU ENJOY ALL FACETS OF YOUR EXPERIENCE WITH OUR HOUSE; IF, DURING ASSEMBLY, THERE IS ANYTHING THAT WE CAN DO TO ASSIST YOU, PLEASE LET US KNOW. CALL US (802) 479-2217).

THE INSTRUCTIONS ARE DIVIDED INTO SECTIONS, SIGNIFIED BY ROMAN NUMERALS. WHEN YOU ARE ASSEMBLING THE HOUSE, READ THE ENTIRE SECTION DENOTED BY THE ROMAN NUMERALS BEFORE ACTUALLY DOING THE ASSEMBLY. WE EVEN RECOMMEND A "DRY RUN" AFTER READING THE SECTION THROUGH, JUST TO ASSURE YOURSELF THAT YOU UNDERSTAND THE PLACEMENT OF THE PIECES.

THE TEXT AND THE ILLUSTRATIONS ARE ON SEPARATE SHEETS OF PAPER. THE ILLUSTRATIONS, HOWEVER, REFER DIRECTLY TO THE TEXT. NOTE THAT THERE IS A LETTER AND NUMBER(S) BELOW EACH ILLUSTRATION. THIS DENOTES THE SECTION OF THE INSTRUCTIONS TO WHICH THE DRAWING PERTAINS. ILLUSTRATIONS ARE ALSO DIVIDED BY ROMAN NUMERALS THAT CORRESPOND TO THE MAIN SECTIONS OF THE TEXT.

WE ASSUME THAT YOU HAVE SOME KNOWLEDGE OF TOOLS, AND SINCE THOSE REQUIRED IN THE ASSEMBLY OF THE FIRST LADY ARE FAIRLY SIMPLE, WE HAVE NOT GONE INTO IT IN DEPTH. HOWEVER, WE WILL SUGGEST THAT:

1. IF YOU HAVE ANY QUESTIONS, YOUR LOCAL DEALER OR LUMBERYARD WILL PROBABLY BE ABLE TO ANSWER THEM (OR GIVE US A CALL);
2. YOU USE A TACK HAMMER AND 1/2" BRADS WHERE NECESSARY.
3. THAT YOU FIND OUT WHAT GLUE YOUR DEALER RECOMMENDS. WE USED ELMER'S WHITE GLUE, BUT I HAVE A FEELING THAT WE'RE A LITTLE OLD-FASHIONED UP HERE IN VERMONT;
4. KEEP SEVERAL GRITS OF SANDPAPER ON HAND TO TOUCH UP OR SMOOTH OUT SURFACES THAT YOU THINK NEED IT.

FINALLY, WE HAVE NOT RECOMMENDED THAT YOU ATTACH THE TOWER, WRAPAROUND PORCH OR RIGHT EXTENSION TO THE MAIN HOUSE. OF COURSE, IF YOU CHOOSE TO, YOU CAN GLUE THEM TO EACH OTHER (BUT MAKE SURE THEY'RE ON A FLAT SURFACE). WE THINK THAT IT WILL BE EASIER FOR YOU IN YEARS TO COME IF THEY STAY LOOSE. MOVING, FOR EXAMPLE, WILL BE MUCH SIMPLER IF THE PARTS DETACH. IF YOU DECIDE TO ATTACH THEM, WE RECOMMEND THAT YOU GET A BOARD AND KEEP THE DOLLHOUSE ON IT. THAT WILL FACILITATE MOVING IT. IT COULD EVEN BE LANDSCAPED THAT WAY.

WE WOULD LOVE TO SEE YOUR HOUSE AS IT IS FINISHED. NOT ENOUGH PEOPLE SEND US PHOTOS WHILE THEY'RE WORKING ON THEIR HOUSES! HOW ABOUT SHARING YOUR WORK WITH US? WE WILL LOOK FORWARD TO SEEING YOUR CREATIONS.

BEST WISHES,

THE R G T FOLKS

7/81

I. Assembling the main house shell

A. Assemble center structure

1. Find middle floor panel.
2. Look at it from front edge. 2 slots should be in the right front corner, shortest slot facing you.
3. Find the Porch End panel and the Right Front panel.
4. Right Front panel's slot and door are the LEFT side of panel.
5. Right Front panel's slot slides into the long slot on the middle floor panel. No glue needed.
6. Porch End panel slides into small slot on middle floor panel. Before attaching, run bead of glue along the back edge. This butts up to the front corner of the Right Front panel.
7. Nail corner created by Right Front and Porch End from inside the house. Thru back of Right Front, into Porch End panel.

B. Attach top and bottom floors; 2-person job

1. Find Base Floor panel and Top Floor panel.
2. Run bead of glue in grooves of the Top Floor panel.
3. Set it onto the Top of the Center Structure assembly, with top edge of Right Front panel and Porch End panel in grooves
4. Nail it on from the top. One person holds, while the other nails.
5. Turn the whole assembly over.
6. Attach the Base Floor panel in exactly the same manner as the Top Floor panel.

C. Attach sides

1. Turn whole assembly onto its right side, so that the left side of the house is up in the air.
2. Find Left Side panel.
3. Apply bead of glue along the edges of the Top and Bottom Floor panels ONLY.
4. Lay Left Side panel onto house assembly. Door openings are to rear of house. Top and Bottom Floor edges are flush with top and bottom of side panel; front and back edges are also flush.
5. Nail panel to Top and Bottom Floors ONLY. Middle Floor is left free and loose at this point.
6. Turn whole assembly over. Locate Right Side panel.
7. Right Side panel is attached in the same way, with the 2 door openings toward the back of the house.
8. Glue and nail the Top and Bottom Floors to the Right Side, leaving the Middle Floor free.

D. To nail the Middle Floor in place

1. Find 2 interior dividers
2. Place one underneath the Middle Floor, up against either the right or the left wall, and the second one up against the same wall on TOP of the Middle Floor, so that you have a tight fit on all 3 floors.
3. Mark an outside line on both ends of the house so you can tell where the middle floor is located, and nail the floor in. No glue is needed.
4. Repeat on opposite wall.

E. Attach Left Front panel

1. Lay assembly on its back; test out location of Front panel
2. Run bead of glue along edges of 3 floor panels, and walls which will come in contact with the Left Front panel
3. Lay panel in proper place on assembly; nail into all 3 floors, Left Wall, and Porch End wall.

SHELL IS COMPLETE. WE WILL PUT IT ASIDE FOR A MOMENT

II. ASSEMBLING RIGHT EXTENSION SHELL

A. ATTACH FRONT PANEL TO FLOOR PANELS - 2 PERSON JOB

1. FIND FRONT PANEL AND 2 FLOOR PANELS
2. SET NAILS IN FRONT PANEL TOP, BOTTOM AND RIGHT SIDE EDGES. SET 2 NAILS IN TOP AND BOTTOM - 2 IN SIDE. TO LOCATE BOTTOM EDGE: DISTANCE FROM BOTTOM EDGE TO BOTTOM OF WINDOWS IS $\frac{7}{8}$ "
3. FIND BOTTOM FLOOR PANEL, SET UPRIGHT. RUN BEAD OF GLUE ALONG THE LONG EDGE. HAVE SOMEONE HOLD IT UPRIGHT FOR YOU.
4. PLACE FRONT PANEL ON BOTTOM FLOOR EDGE. BOTTOM AND LEFT EDGES OF FRONT ARE FLUSH WITH BOTTOM AND LEFT EDGES OF BOTTOM FLOOR PANEL.
5. HAMMER IN PRE-SET NAILS. FOR EXTRA SUPPORT, YOU CAN USE THE OTHER FLOOR.
6. REPEAT WITH TOP FLOOR. LEFT AND TOP EDGES OF FRONT PANEL ARE FLUSH WITH THOSE EDGES ON TOP FLOOR.

B. ATTACH SIDE PANEL

1. TURN UNIT ON LEFT SIDE
2. RUN BEADS OF GLUE ALONG EDGES OF TOP AND BOTTOM FLOORS, FRONT EDGE OF SIDE.
3. LAY SIDE PANEL ON UNIT, BUTT FRONT OF SIDE PANEL AGAINST FRONT PANEL.
4. NAIL SIDE PANEL INTO TOP AND BOTTOM FLOORS, MAKING SURE THEY ARE FLUSH ON TOP AND BOTTOM.
5. TURN UNIT ON ITS BACK; HAMMER IN PRE-SET NAILS THRU FRONT, INTO SIDE.

RIGHT EXTENSION SHELL IS NOW COMPLETE

III. ASSEMBLING THE TOWER

A. ASSEMBLE TOWER WALLS

1. FIND TOWER WALLS (2). WIDER ONE IS FRONT PANEL, NARROWER IS LEFT SIDE PANEL. FIND BOTTOM AND MARK IT ($7/8$ " FROM THE BOTTOM EDGE TO WINDOW BOTTOM).
2. SET NAILS IN LEFT SIDE OF TOWER FRONT EVERY 4 INCHES GOING ALL THE WAY UP, $1/8$ " IN FROM THE LEFT EDGE.
3. RUN A BEAD OF GLUE ALONG RIGHT EDGE OF LEFT TOWER WALL PANEL.
4. STAND LEFT WALL ON ITS LEFT LONG SIDE (THE ONE WITHOUT THE GLUE)
5. LAY FRONT WALL ON LEFT WALL EDGE, NAIL IN PRE-SET NAILS. HERE IS WHERE YOU NEED HELP -- SOMEONE SHOULD BE HOLDING IT UP FOR YOU. IT WILL ALSO HELP TO USE A COUPLE OF THE FLOOR PANELS TO SUPPORT THE FRONT WALL WHILE YOU'RE NAILING.

B. ATTACH FLOOR PANELS

1. PUT GLUE ON 2 EDGES OF THE BOTTOM FLOOR PANEL (ALL FLOORS ARE THE SAME. ALL ARE SQUARE)
2. SET FLOOR INSIDE WALL ASSEMBLY, USING ANOTHER FLOOR PANEL TO KEEP THE TOP SQUARE.
3. BRING BOTTOM FLOOR FLUSH WITH BOTTOM EDGES OF WALLS.
4. NAIL IN FROM THE FRONT AND SIDE, $7/8$ " FROM BOTTOM EDGE.
5. ATTACH TOP FLOOR PANEL, REPEATING PROCESS No. 2, 3, & 4.
6. ATTACH MIDDLE 2 FLOORS

A) AS WITH MAIN HOUSE, USE 1ST STORY INTERIOR DIVIDERS (THERE ARE 2) FROM THE MAIN HOUSE TO LOCATE HEIGHT OF FLOORS. ALSO USE TWO SECOND STORY DIVIDERS FOR LOCATING HEIGHT OF SECOND FLOOR.

B) PUT ONE INTERIOR DIVIDER AGAINST INSIDE OF FRONT PANEL, ONE AGAINST INSIDE SIDE PANEL.

C) PUT BEAD OF GLUE ALONG 2 EDGES OF FLOOR, SET ON TOP OF INTERIOR DIVIDERS. THIS IS THE CORRECT HEIGHT NOW; LET DRY AWHILE, THEN NAIL.

D) TURN TOWER OVER, REPEAT FROM OTHER SIDE.

E) FLOORS SHOULD NOW BE SPACED THE SAME AS THE MAIN HOUSE.

C. ATTACH TOWER RIGHT WALL

1. FITS BETWEEN THE TOP FLOOR OF TOWER AND FLOOR JUST BELOW IT (FITS RIGHT IN BETWEEN).
2. FIND AND FIT THIS WALL. IT IS NOT SQUARE.
3. PUT GLUE ON TOP AND BOTTOM EDGES, AND FRONT EDGE OF WALL.
4. SET IN PLACE. SHOULD BE FAIRLY SNUG.
5. NAIL IN, FROM FRONT, TOP, AND UNDERSIDE OF THIRD FLOOR

IV. ATTACHING PORCH TRIM -- THERE ARE DIFFERENT TYPES OF PIECES FOR BOTTOM FLOOR, MIDDLE FLOOR, TOP FLOOR, TWO EACH, SIX PIECES TOTAL. THESE ARE PART OF PACKS NO. 4 AND 7. MAKE SURE YOU HAVE THE RIGHT PIECES AS YOU ASSEMBLE. IN EACH CASE THE LONG PIECE IS THE FRONT, THE SHORT IS THE SIDE.

A. BOTTOM FLOOR TRIM -- SIMILAR TO TOP FLOOR TRIM, BUT THINNER. THIS IS IMPORTANT. MAKE SURE YOU HAVE THE RIGHT PIECES.

1. THINNER "L-SHAPED" TRIM IN PACKS No. 4 AND 7. LONG TRIM FOR FRONT, SHORT TRIM FOR SIDE.
2. TRIM LAPS OVER TOP EDGE OF PORCH.
3. RUN BEAD OF GLUE ALONG INSIDE OF NOTCH IN BOTH PIECES, APPLY TO HOUSE.
4. PUT GLUE IN CORNER, MAKE SURE MITERS FIT SNUGLY.
5. NAIL IN WITH BRADS.

B. MIDDLE FLOOR TRIM

1. HAS WIDE SLOT IN REAR SIDE, NARROW SLOT IN FRONT.
2. TRIM FITS OVER PLYWOOD EDGE SO IT COVERS TOP AND BOTTOM OF EDGE. GROOVE IS THE OUTSIDE EDGE NOW.
3. RUN BEAD OF GLUE INSIDE BOTH TRIM PIECES.
4. FIT OVER THE MIDDLE FLOOR EDGE. MAKE SURE MITERS FIT SNUGLY.
5. NAIL IN PLACE WITH BRADS.

C. TOP FLOOR TRIM

- *. SIMILAR TO THE BOTTOM FLOOR TRIM, BUT THICKER. THIS IS IMPORTANT. MAKE SURE YOU'VE GOT THE RIGHT PIECE.
1. TRIM IS APPLIED UNDERNEATH THE TOP FLOOR PANEL SO TOP OF TRIM IS FLUSH WITH TOP SIDE OF PANEL.
 2. RUN BEAD OF GLUE INSIDE TRIM (BOTH PIECES), APPLY TO HOUSE.
 3. MAKE SURE MITERS FIT SNUGLY.
 4. NAIL IN PLACE.

D. 1/16" EAVE MOLDING

1. PIECE 1/16" THICK X 1/2" WIDE X 9-1/2" LONG IN PACK No. 7
2. FITS INTO THE GROOVE ON THE FRONT OF THE MIDDLE LONG PORCH TRIM.
3. RUN A THIN BEAD OF GLUE DOWN ONE LONG EDGE OF EAVE PIECE.
4. INSERT IN GROOVE. ALLOW TO DRY.

V. ATTACHING ROOF PANELS TO MAIN HOUSE

A. LEFT GABLE ROOF PANEL

1. PUT PANEL IN PLACE

- A) REAR PORTION OF ROOF PANEL IS EVEN WITH REAR EDGE OF HOUSE.
- B) SECTION THAT IS CUT OUT OF PANEL IS IN LOWER REAR AND FLUSH WITH SIDE OF HOUSE.
- C) BOTTOM EDGE (AT SLANT) RUNS ALONG LEFT EDGE OF HOUSE.

2. ATTACH ROOF PANEL TO HOUSE

- A) RUN A BEAD OF GLUE ALONG LEFT EDGE OF GABLE PEAK. PLACE PANEL.
- B) BE SURE THE OVERHANG IN THE FRONT (DISTANCE FROM EDGE OF ROOF PANEL TO FRONT PANEL) IS EVEN, TOP TO BOTTOM. THIS IS IMPORTANT.

B. RIGHT GABLE ROOF PANEL

1. PUT PANEL IN PLACE

- A) FITS ON RIGHT EDGE OF GABLE PEAK, BUTTING UNDERNEATH OVERHANGING EDGE OF LEFT GABLE ROOF PANEL.
- B) OVERHANG IN FRONT IS EXACTLY THE SAME AS LEFT GABLE ROOF PANEL. THEIR FRONT EDGES ARE FLUSH.

2. ATTACH ROOF PANEL TO HOUSE

- A) RUN A BEAD OF GLUE ALONG RIGHT EDGE OF GABLE PEAK & ALONG TOP EDGE OF RIGHT GABLE ROOF PANEL. PLACE PANEL.
- B) MAKE SURE OVERHANG IS EVEN, TOP TO BOTTOM.
- C) NAIL PANEL IN PLACE.

3. NAIL LEFT ROOF TO RIGHT ROOF, THROUGH TOP, THIS WILL SECURE THE PANELS THROUGH THE REST OF CONSTRUCTION.

C. ATTACH FRONT ROOF PANEL (PARALLELOGRAM) & RIGHT ROOF PANEL

- 1. STUDY THE FRONT ROOF PANEL TO FIGURE OUT THE PROPER POSITION, LONG SQUARE EDGE IS ON THE BOTTOM.
- 2. USE OF TACKY GLUE WILL MAKE IT EASIER FOR YOU.
- 3. RUN A BEAD OF GLUE ALONG THE RIGHT SIDE OF THE PARALLELOGRAM AND JOIN WITH THE RIGHT ROOF PANEL EXACTLY, WORKING ON A FLAT SURFACE. BRACE INTO POSITION AND LET DRY.

D. ATTACH THE LEDGE MOLDING TO ROOF ASSEMBLY

- 1. RUN A BEAD OF GLUE IN THE GROOVES ON THE TOPS OF THE FRONT AND SIDE LEDGE MOLDINGS. ALSO, GLUE THE 45° MITERED ANGLE CUTS.
- 2. PRESS THE LEDGE MOLDINGS ONTO THE ROOF ASSEMBLY, MAKING SURE THE CORNER IS COMPLETELY JOINED.

E. ATTACH ROOF ASSEMBLY TO HOUSE

1. RUN A BEAD OF GLUE ALONG THE FRONT EDGE AND RIGHT SIDE OF TOP FLOOR PANEL. ALSO RUN A BEAD OF GLUE ALONG THE REAR EDGE OF RIGHT GABLE ROOF PANEL WHERE THE PARALLELOGRAM WILL MEET.

2. PLACE THE ROOF ASSEMBLY ON TOP OF THE THIRD FLOOR. PAY CLOSEST ATTENTION TO JOINING THE PARALLELOGRAM TO REAR EDGE OF THE RIGHT GABLE ROOF PANEL. THERE WILL BE ABOUT A $\frac{3}{8}$ " GAP BETWEEN THE FRONT LEDGE MOLDING AND THE RIGHT GABLE ROOF PANEL. MAKE SURE THE REAR EDGE OF THE ROOF ASSEMBLY IS FLUSH WITH THE REAR OF THE HOUSE.

F. ATTACH ROOF TOP PANEL

1. RUN A BEAD OF GLUE ALONG THE TOP EDGE OF FRONT ROOF PANEL, RIGHT ROOF PANEL AND THE BEVELED EDGE OF ROOF TOP PANEL.

2. THE BEVELED EDGES OF ROOF TOP PANEL MATCHES WITH THE BEVELED EDGE OF LEFT GABLE ROOF PANEL, STAYING FLUSH IN REAR OF THE HOUSE

VI. RIGHT EXTENSION ROOF ASSEMBLY

A. RUN A BEAD OF GLUE ALONG THE BEVELED ANGLED EDGE OF FRONT ROOF PANEL.

B. JOIN WITH SIDE ROOF PANEL, MATCH BEVELED EDGES PERFECTLY. LET DRY.

C. WHEN THE ABOVE IS DRY, ATTACH FRONT AND SIDE LEDGE MOLDINGS IN THE SAME MANNER AS THE MAIN HOUSE.

D. RUN A BEAD OF GLUE ALONG THE FRONT AND SIDE EDGES OF THE SECOND FLOOR PANEL.

E. POSITION THE ROOF ASSEMBLY SO THAT THE LEFT FRONT EDGE AND THE RIGHT REAR EDGE ARE FLUSH.

F. RUN A BEAD OF GLUE ON TOP OF ROOF ASSEMBLY.

G. POSITION THE ROOF TOP PANEL SO THAT LEFT FRONT EDGE AND RIGHT REAR EDGES ARE FLUSH.

VII. ASSEMBLE TOWER ROOF

A. ATTACH THE LEDGE MOLDINGS TO TOP OF TOWER SHELL (PACK #5)

1. CHECKING THE WINDOW HEIGHT - MAKE SURE WHICH END OF THE TOWER IS THE TOP.

2. RUN A BEAD OF GLUE AROUND TOP EDGES OF TOWER.

3. PUT FOUR (4) IDENTICAL LEDGE MOLDINGS IN PLACE WITH GLUE ON ALL MITERED EDGES, MAKE SURE MITERS FIT WELL.

4. ALL FOUR MITERED EDGES SHOULD MATCH THE CORNERS ON THE TOWER.

5. LET DRY.

B. ATTACH ROOF PANELS

1. RUN A BEAD OF GLUE IN THE LEDGE MOLDING GROOVES AND ON THE LONG BEVELED EDGES OF THE FOUR ROOF PANELS.
2. PUT THE FOUR PANELS IN THE GROOVES.
3. JOIN ALL BEVELED TOWER ROOF CORNERS.
4. LET DRY.

C. ASSEMBLE TOWER ROOF CAP - FOUR (4) SMALL MITERED PIECES AND 2-1/8" SQUARE ROOF TOP IN PACK NO. 9

1. PUT THE GOOD SIDE OF ROOF TOP PANEL DOWN ON A FLAT SURFACE.
2. RUN A BEAD OF GLUE AROUND THE PLYWOOD EDGE AND ALL MITERED EDGES OF ROOF CAP MOLDING.
3. ASSEMBLE, MAKING ALL MITERS FIT SNUGLY AROUND ROOF TOP.
4. HOLD TOGETHER UNTIL GLUE IS DRY, WITH SMALL CLAPS OR WITH RUBBERBAND AROUND ASSEMBLED UNIT.
5. WHEN DRY, RUN BEAD OF GLUE ALONG TOP EDGE OF ROOF PANELS AND SET ON ROOF CAP.

V111. INTERIOR PANELS

- A. FOUR LARGE INTERIOR DIVIDER WALLS CAN BE PLACED WHEREVER YOU CHOOSE. TWO TALLER DIVIDERS ARE FOR 1ST STORY AND SHORTER ARE FOR 2ND STORY.
- B. THE SMALL DIVIDERS ARE CUT TO DIVIDE THE DEEP ROOMS ON THE RIGHT (AS YOU LOOK INTO THE BACK) INTO TWO ROOMS. OF COURSE, YOU MAY DISREGARD THESE AND LEAVE THE ROOMS LARGE.
- C. ATTIC PARTITIONS FIT ANYWHERE ALONG THE ATTIC TO LEFT OF GABLE (FROM REAR OF HOUSE).

IX. ASSEMBLE WINDOWS (PACKS NO. 2, 3, 6, 9)

- A. RUN A BEAD OF GLUE AROUND INSIDE OF WINDOW OPENING.
- B. PLACE A WINDOW SILL AND WINDOW TOP IN PLACE (SAME PIECE FROM PACK #3). SLIDE EACH TO THE BOTTOM AND TOP UNTIL THE GROOVE IN EACH IS SEATED.
- C. PLACE THE WINDOW VERTICALLY IN PLACE, SEATING THE GROOVES OVER THE SIDES OF THE WINDOW OPENING.
- D. ALUE THE HORIZONTAL AND VERTICAL MULLIONS TOGETHER AT THE NOTCH.
- E. PLACE THIS MULLION ASSEMBLY INTO THE OPENING AND SQUEEZE THE WINDOW VERTICALS IN TO MEET THE HORIZONTAL MULLION. MAKE SURE THE WINDOW ASSEMBLY IS CENTERED.
- F. LET DRY

G. NOW TAKE THE WINDOW TOP MOLDING (PACK #3) AND RUN A BEAD OF GLUE ALONG THE REAR BOTTOM EDGE.

H. PLACE OVER WINDOW TOP HORIZONTAL KEEPING THE BOTTOM EDGES FLUSH.

I. TAKE A WINDOW (PACK #3) AND RUN A THIN BEAD OF GLUE ALONG THE BOTTOM EDGE AND PLACE ON THE TOP OF THE WINDOW MOLDING ALONG ITS BACK EDGE.

X. ASSEMBLE DOORS (PACK #L)

A. PLACE THE DOOR PANELS FLAT

1. CENTER TWO (2) LONGER PANELS AS IN DIAGRAM.
2. CENTER THE SHORTER PANEL AS IN DIAGRAM.
3. KEEP BEVELED EDGES SHOWING.
4. GLUE IN PLACE AND LET DRY.

B. PLACE THE DOOR TOP HORIZONTAL BY SLIDING IT, GROOVED SIDE UP, INTO PLACE.

C. GLUE THE DOOR VERTICALS INTO PLACE.

D. GLUE THE HORIZONTAL DOOR MOLDING.

E. GLUE THE DOOR ASSEMBLY INTO POSITION INSIDE THE DOOR OPENING.

XI. ASSEMBLY OF THE WRAPAROUND PORCH

A. WRAPAROUND PORCH EDGE STRIP IS GLUED IN PLACE AS SHOWN IN DIAGRAM.

B. GLUE THE THREE (3) ROOF TRIANGLES ON TO ONE OF THE FLOOR PANELS. THE TRIANGLE WITH THE ANGLED CUTS IS USED IN THE CORNER.

C. ASSEMBLE ROOF

1. FIND THE PORCH ROOF PANELS, 2 END ROOF TRIANGLES, 1 CENTER ROOF TRIANGLE (PACK #7), WHICH HAS BEVELS ON THE TOP SIDE.
2. LAY PORCH ROOF PANEL (WITH MOLDING ATTACHED) WITH THE SHORTER SIDE ON THE LEFT AS VIEWED IN DIAGRAM E.2.
3. SET END TRIANGLES ON 2 ENDS OF PORCH ROOF, WITH OUTSIDE EDGE JUST RESTING ON EDGE OF MOLDING.
4. REMOVE TRIANGLES, PUT BEAD OF GLUE ON BOTTOM SIDE, REPLACE. NOTE - REAR EDGE OF THESE SHOULD BE FLUSH WITH REAR EDGE OF PANEL. THE REAR EDGE OF THE TRIANGLE SHOULD BE PERPENDICULAR TO PANEL FLOOR. IF IT'S NOT, THE TRIANGLE IS UPSIDE-DOWN. IT MUST BE ABLE TO FIT FLAT UP AGAINST THE HOUSE.

5. CENTER TRIANGLE SHOULD BE SET DIAGONALLY AT INTERSECTION OF "L" CENTER. IT SUPPORTS THE 2 ROOF PANELS AS THEY MEET AT AN ANGLE.

6. ROOF PANELS ARE IN 2 SIZES: LONGER ONE IS THE FRONT.

7. PANELS LAY ON TRIANGLES, MEETING AT "L" CENTER IN A CLOSED SEAM. THAT MEANS THE ANGLES ON THE PANEL DIAGONAL EDGE MUST MEET CLEANLY.

8. TO HELP KEEP THESE SQUARE AND EVEN WITH THE HOUSE, THIS ASSEMBLY CAN BE SET AGAINST THE HOUSE BEFORE AND WHILE GLUING.

9. WHEN SATISFIED WITH FIT, REMOVE AND GLUE. NAIL THE ROOF PANELS TO THE ROOF TRIANGLES. SAND THE CORNER WHERE THE PANELS MEET.

10. SET THIS ASSEMBLY ASIDE UNTIL YOU REACH THE SECTION ON ASSEMBLING PORCH COLUMNS AND GINGERBREAD.

D. ASSEMBLE THE PORCH RAILINGS

1. THERE ARE THREE SIZE RAILS AND GINGERBREAD - FOUR OF $4\text{-}\frac{3}{8}$ " WHICH ARE USED FOR THE SIDE OF WRAPAROUND PORCH AND THE TWO-STORY FRONT PORCH; TWO $3\text{-}\frac{7}{8}$ " USED IN THE FRONT OF THE WRAPAROUND PORCH; AND TWO $2\text{-}\frac{3}{9}$ " USED ON ENDS OF THE FRONT TWO-STORY PORCH.

2. MARK THE RAILS LEAVING THE SAME SPACE ON THE ENDS. I RECOMMEND $\frac{1}{2}$ " SPACES BETWEEN THE RAILS.

3. THIS IS BEST DONE USING QUICK DRYING GLUE OF $\frac{1}{2}$ " BLOCKS USED AS PROPS.

E. PORCH COLUMN, RAIL AND GINGERBREAD ASSEMBLY

1. USING DIAGRAM, LAY OUT THE PORCH COLUMNS, SPACING THEM WITH PIECES OF GINGERBREAD OR PRE-ASSEMBLED RAILS.

2. ONCE YOU ARE SURE OF THEIR PLACEMENT, GLUE THE RAILINGS AND GINGERBREAD IN PLACE. LEAVE ABOUT $\frac{1}{8}$ " SPACE UNDER THE RAILINGS.

F. GLUE THE ROOF ASSEMBLY IN PLACE OVER PORCH COLUMNS.

X11. FRONT TWO-STORY PORCH ASSEMBLY

A. USING PRE-ASSEMBLED $4\text{-}\frac{3}{8}$ " RAILS AND $4\text{-}\frac{3}{8}$ " GINGERBREAD AS A GUIDE, SPACE THE PORCH COLUMNS, STARTING FROM LEFT FRONT.

B. GLUE COLUMNS $\frac{1}{8}$ " BACH FROM THE FRONT EDGE.

C. GLUE THE RAILS AND GINGERBREAD IN THE SAME MANNER AS WITH THE WRAPAROUND PORCH.

X111. GABLE WINDOW ASSEMBLY (PACK #6)

A. GLUE WINDOW BOTTOM INTO PLACE (SAME AS IX)

B. GLUE THE WINDOW VERTICALS INTO PLACE.

C. ASSEMBLE THE WINDOW MULLIONS. GLUE THE TIPS AND PLACE INTO THE OPENING AND CENTER THEM. SQUEEZE THE VERTICALS INTO THE MULLIONS.

D. LET THIS ASSEMBLY DRY AND THEN GLUE ON THE ARCHED WINDOW TOPS ON BOTH THE INSIDE AND THE OUTSIDE.

XIV. GABLE TRIM ASSEMBLY

A. USING PACK #5, RUN A BEAD OF GLUE ALONG THE FRONT OF THE GABLE ROOF PANELS. NOW POSITION THE LEFT AND RIGHT EAVE MOLDINGS, MAKING SURE THE ANGLES MEET AT PEAK. MAKE SURE THE JOINT AT PEAK IS GLUED. LET DRY.

B. ASSEMBLE THE GINGERBREAD TRIANGLE AS IN THE DIAGRAM. POSITION AND GLUE UNDER THE EAVE MOLDINGS.

C. GLUE ALONG THE POINTS OF THE EAVE GINGERBREAD AND POSITION AS IN DIAGRAM.

XV. CORNICE MOLDING (PACK #9 - 40 PIECES)

A. THESE ORNAMENT PIECES ARE CALLED "BRACKETS". IN VICTORIAN HOUSES, THEY SERVED NO OTHER PURPOSE THAN APPEARANCE. SO THEY ARE ON THIS HOUSE. THEY ARE GLUE BENEATH THE ROOF LEDGES AND BENEATH THE EAVE OVER THE FIRST STORY OF THE FRONT PORCH. I SUGGEST FOUR BRACKETS UNDER EACH SIDE OF THE TOWER LEDGES.

B. SPACE BRACKETS EVENLY.

1. I SUGGEST FIVE (5) BRACKETS ON EACH STORY OF THE FRONT PORCH.

2. FIVE (5) UNDER THE LEDGE OF RIGHT ROOF.

3. FIVE (5) UNDER THE RIGHT EXTENSION FRONT ROOF LEDGE.

4. FOUR (4) UNDER RIGHT EXTENSION SIDE ROOF LEDGE.

XVI. CHIMNEY ASSEMBLY (PACK #13)

A. THERE ARE TWO (2) CHIMNEYS. EACH HAS FOUR (4) PARTS.

B. GLUE THE FLAT PIECE ON CHIMNEY BASE.

C. GLUE CHIMNEY DOWELS ON FLAT PIECE.

D. PLACE ONE CHIMNEY AT EACH END OF THE ROOF, OR AS YOU PLEASE.

½" SCALE PREPACKS

- | | |
|---|---|
| <p>1. DOOR - BAG A. DOORS (2) B. DOOR TOP HORIZONTAL (2) C. SHORT PANELS (2) D. LONG PANELS (4) E. DOOR VERTICALS (4) F. DOOR TOP MOLDING (2)</p> | <p>8. GINGER - BAG A. SHORT GINGER (2) 2-3/8" B. MEDIUM GINGER (4) 3-7/8" C. LONG GINGER (5) 4-3/8"</p> |
| <p>2. WINDOW PACK #1 - BAG A. WINDOW VERTICALS (28) B. HORIZONTAL MULLIONS (14) C. VERTICAL MULLIONS (14)</p> | <p>9. CLOUDS & CORNICE - BAG A. CLOUDS (16) WINDOW GINGER B. CORNICE (40) BRACKETS C. LOWER TOP (1) 2-1/16" Sq. D. TOWER CAP MOLDING (4) 2-7/8"</p> |
| <p>3. WINDOW PACK #2 - BAG A. WINDOW TOP MOLDING (14) B. WINDOW SILL AND TOP (28)</p> | <p>10. RAILS & SLATS - BAG A. SLATS (50) 1 1/16" B. MED. RAIL (4) 3-7/8" C. LONG RAIL (10) 4-3/8" D. SHORT RAIL (4) 2-3/8"</p> |
| <p>4. PORCH PARTS A. WRAPAROUND PORCH END ROOF TRIANGLES (2) B. WRAPAROUND PORCH CORNER ROOF TRIANGLE (1) C. WRAPAROUND PORCH END TRIM STRIPS (4) D. MIDDLE PORCH END TRIM (1) E. TOP PORCH END TRIM (1) F. BOTTOM PORCH END TRIM (1)</p> | <p>11. PORCH COLUMNS (15)</p> |
| <p>5. EAVE, TOWER LEDGE - BAND A. LEFT EAVE MOLDING (1) 6-5/8" B. RIGHT EAVE MOLDING (1) 6-5/8" C. EAVE GINGER (2) 3-13/16" D. TOWER LEDGE (4) 5-1/8"</p> | |
| <p>6. GABLE WINDOW, GINGER PEAK A. SILL (1) B. VERTICAL MULLION (1) C. SIDES (2) D. HORIZONTAL MULLION (1) E. TOP (2) F. PEAK GINGER (1) G. LONG SLAT (1) H. SHORT SLAT (1)</p> | <p>12. LEDGE/BANDED A. HOUSE RIGHT 10-1/2" B. HOUSE FRONT 9-15/16" C. RGT. EXT. FRNT. 8-5/8" D. RGT. EXT. SIDE 6-5/8"</p> |
| <p>7. PORCH TRIM A. WRAPAROUND PORCH LONG TRIM (2) 8-7/8" B. WRAPAROUND PORCH SHORT TRIM (2) 7-3/8" C. HOUSE PORCH MIDDLE (1) D. HOUSE PORCH EAVE (1) E. HOUSE PORCH BOTTOM (1) ALL 9-9/16" F. HOUSE PORCH TOP (1)</p> | <p>13. CHIMNEY - BAG A. CHIMNEY (2) B. CHIMNEY CAP (2) C. DOWELS (4) D. THRESHOLDS (3)</p> |

PANELS

BASIC HOUSE

FIRST FLOOR PANEL
SECOND FLOOR PANEL
THIRD FLOOR PANEL
LEFT SIDE PANEL
LEFT FRONT PANEL
PORCH END PANEL
RIGHT FRONT PANEL
RIGHT SIDE PANEL
LEFT ROOF PANEL
RIGHT GABLE ROOF PANEL
FRONT ROOF (PARALLELOGRAM) PANEL
RIGHT ROOF PANEL
ROOF TOP PANEL
2 FIRST STORY LARGE ROOM DIVIDERS
2 SECOND STORY LARGE ROOM DIVIDERS
2 FIRST STORY SMALL ROOM DIVIDERS
2 SECOND STORY SMALL ROOM DIVIDERS
2 ATTIC PARTITIONS

TOWER

FRONT PANEL
LEFT SIDE PANEL
RIGHT SIDE PANEL
4 FLOOR PANELS
4 ROOF PANELS

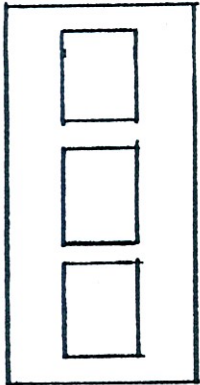
RIGHT EXTENSION

FRONT PANEL
RIGHT SIDE PANEL
2 FLOOR PANELS
FRONT ROOF PANEL
SIDE ROOF PANEL
ROOF TOP PANEL

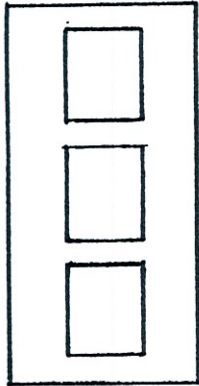
WRAPAROUND PORCH

2 FLOOR & CEILING PANELS
FRONT ROOF PANEL
SIDE ROOF PANEL

TOWER SIDE



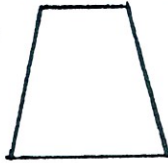
TOWER FRONT



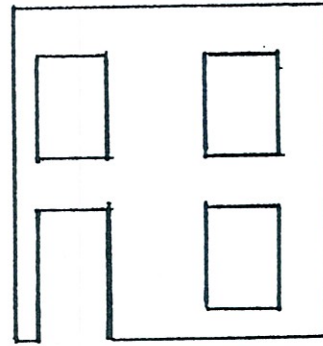
TOWER RT. WALL



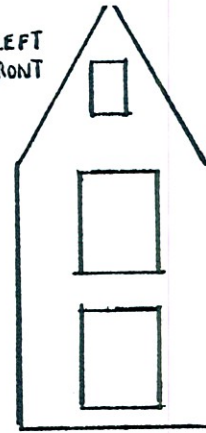
TOWER ROOF (4)



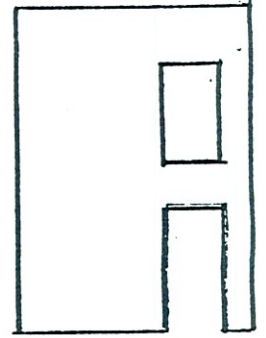
LEFT SIDE



LEFT FRONT



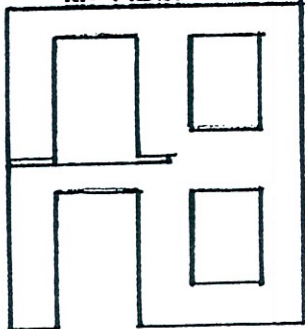
RIGHT SIDE



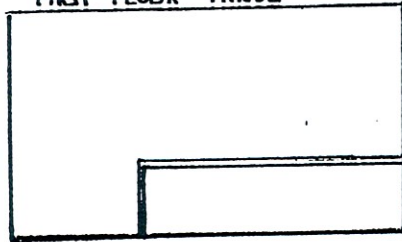
PORCH END



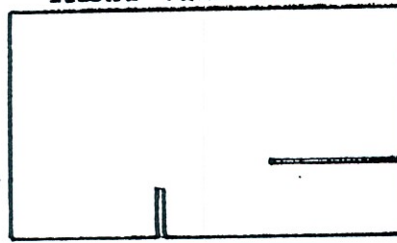
RT. FRONT



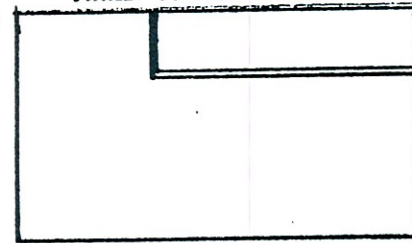
FIRST FLOOR PANEL



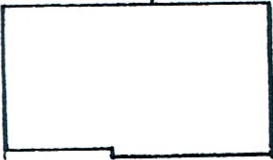
SECOND FLOOR PANEL



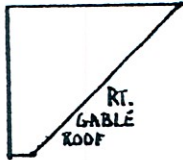
THIRD FLOOR PANEL



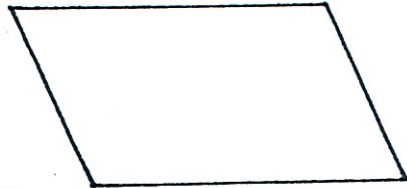
LEFT ROOF



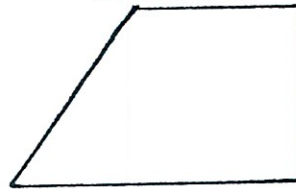
RT. GABLE ROOF



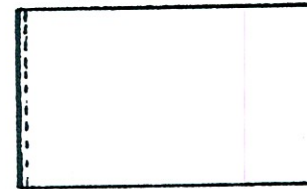
FRONT ROOF



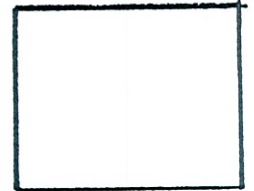
RT. SIDE ROOF



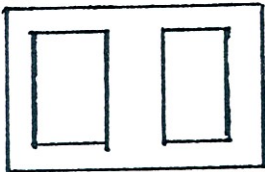
ROOF TOP



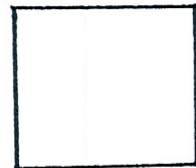
EXTENSION FLOOR (2)



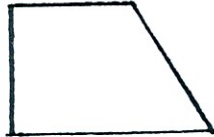
EXTENSION FRONT



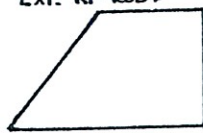
EXTENSION RT. WALL



EXT. FRONT ROOF



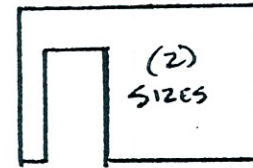
EXT. RT. ROOF



EXT. ROOF TOP



INTERIOR DIVIDER (4)

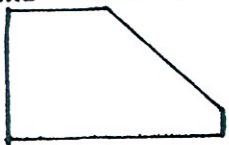


SMALL ROOM DIVIDER (4)

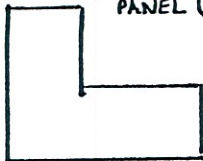


(LARGER DIVIDERS ARE FOR 2ND STORY)

ATLIC PARTITION (2)

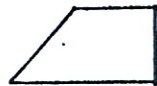


WRAPAROUND PORCH PANEL (2)

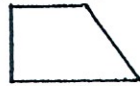


WRAPAROUND PORCH ROOF

FRONT

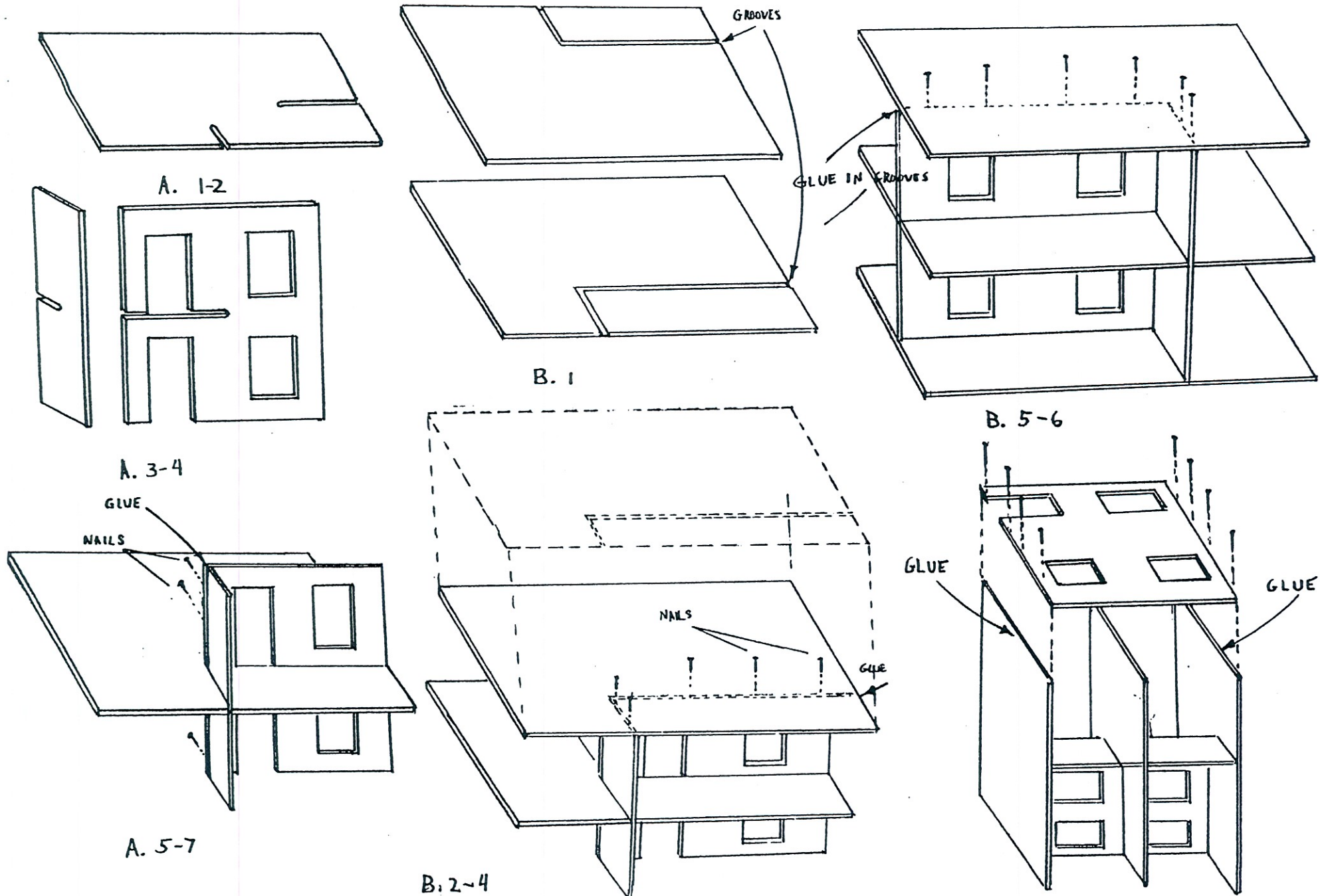


LEFT SIDE

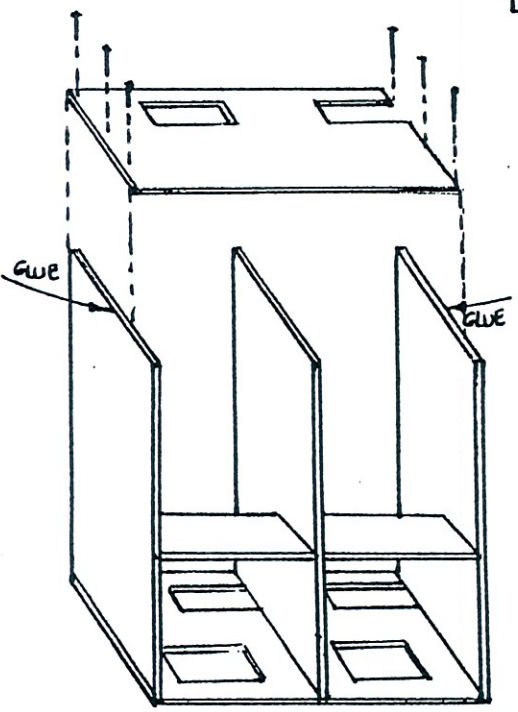


PANELS IN THE
"FIRST LADY" (1/2" SCALE)

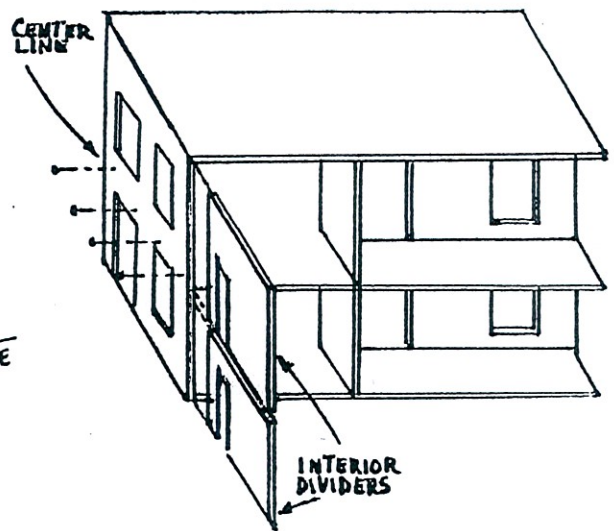
SECTION I



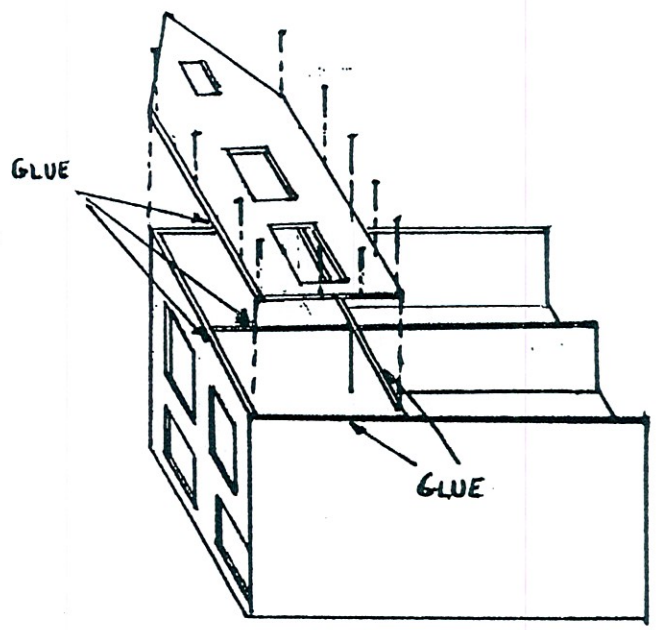
SECTION I, CONT'D.



C. 6-8

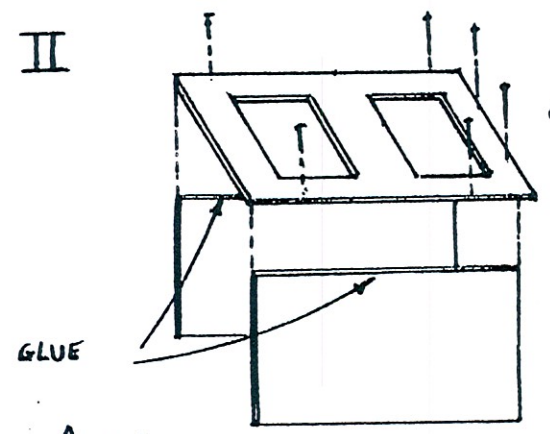


D. 1-4

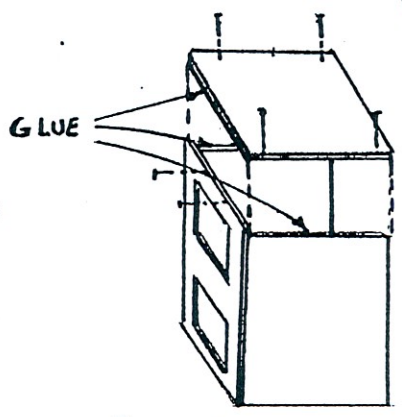


E. 1-3

SECTION II

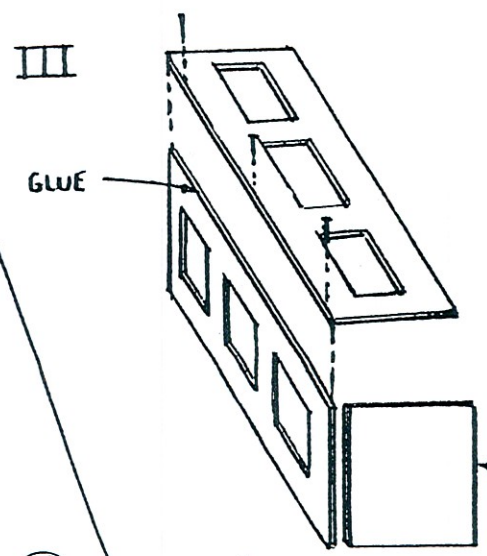


A. 1-6

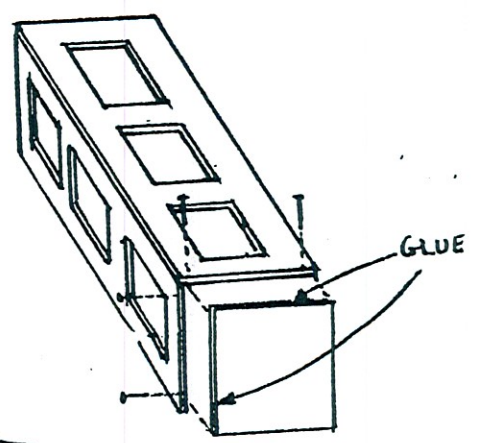


B. 1-5

SECTION III



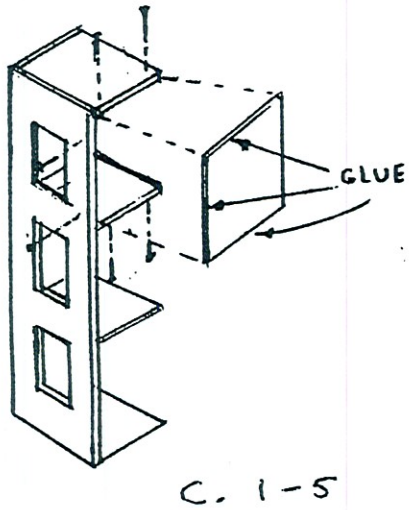
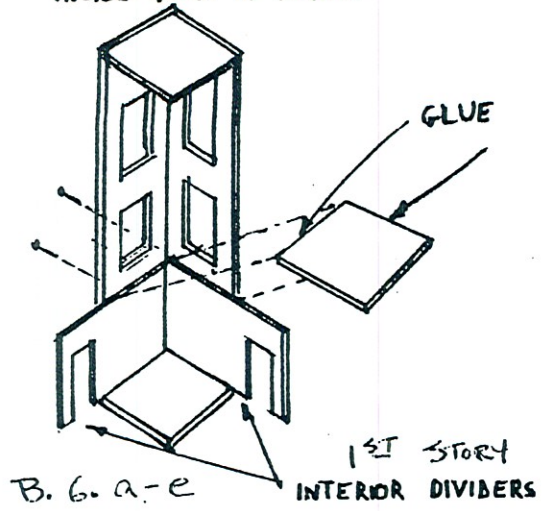
A. 1-5



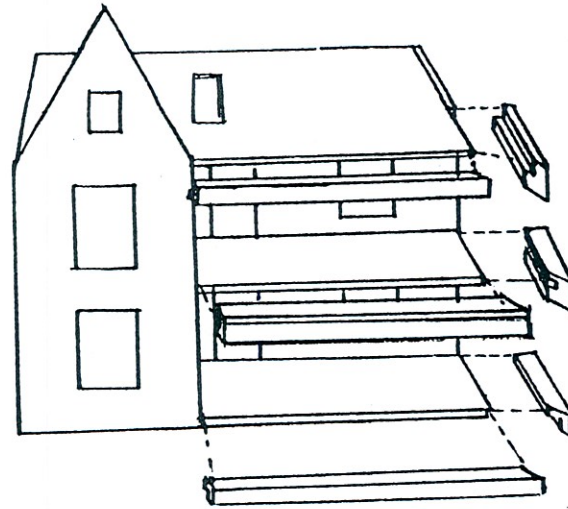
B. 1-6

SECTION III, CONTINUED..

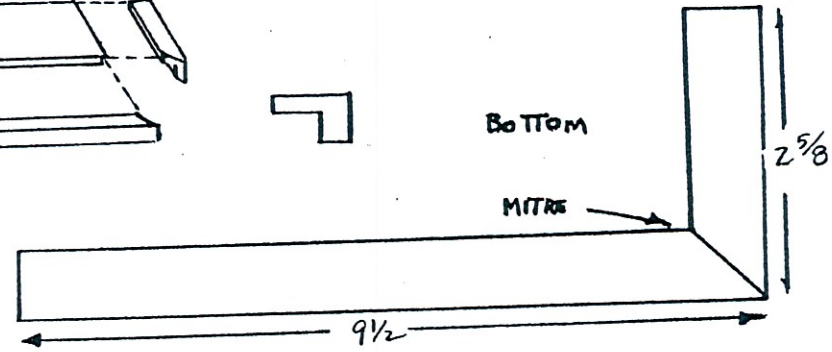
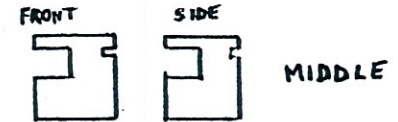
INSIDE VIEW OF TOWER



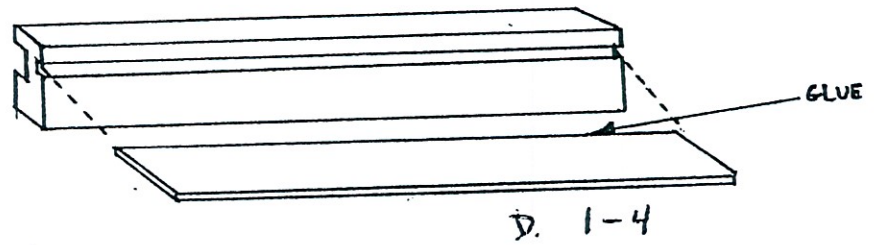
SECTION IV



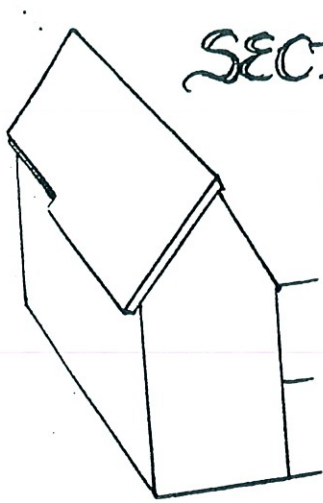
CROSS-SECTIONS



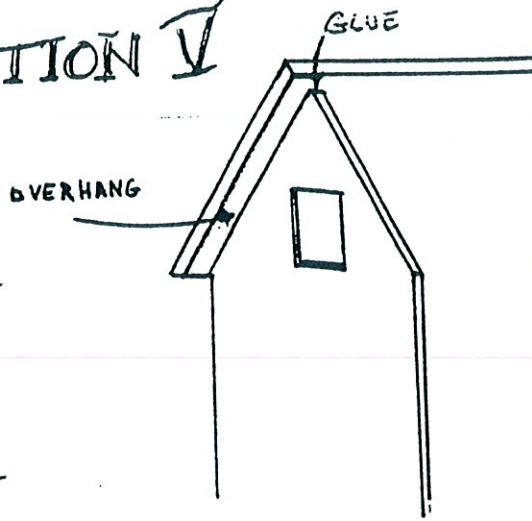
A-C



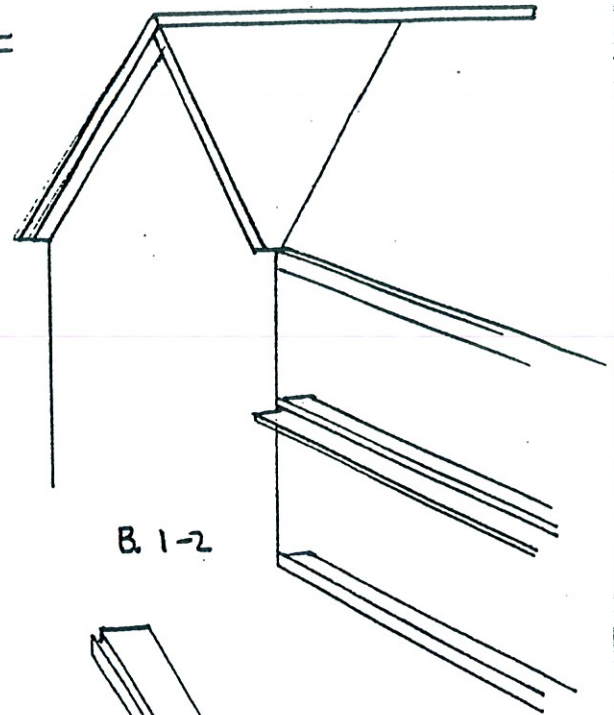
SECTION V



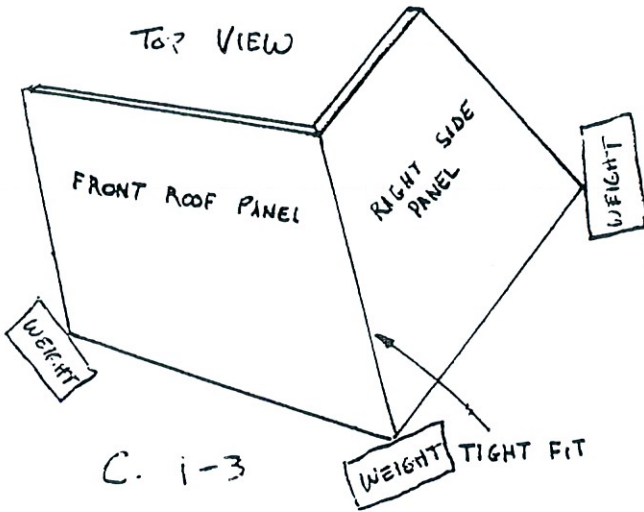
A. 1.2-c



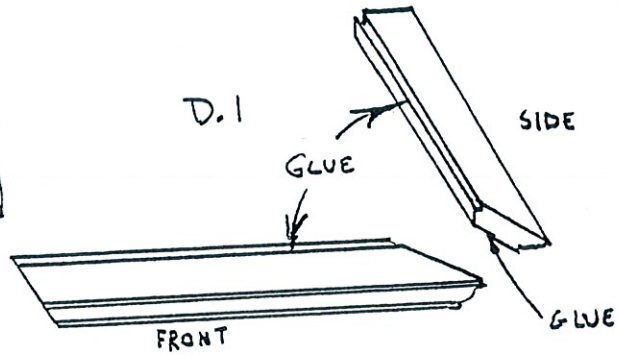
A. 2.2-c



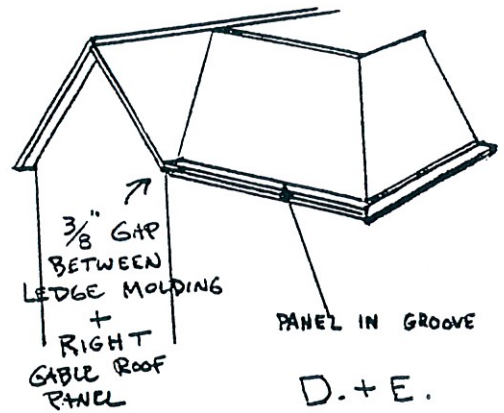
B. 1-2



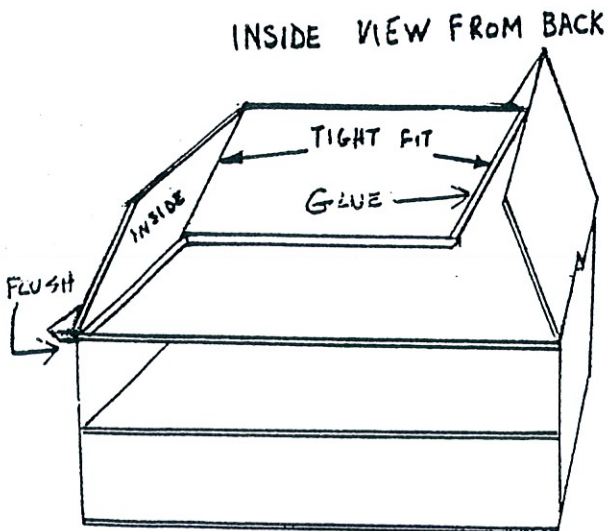
C. 1-3



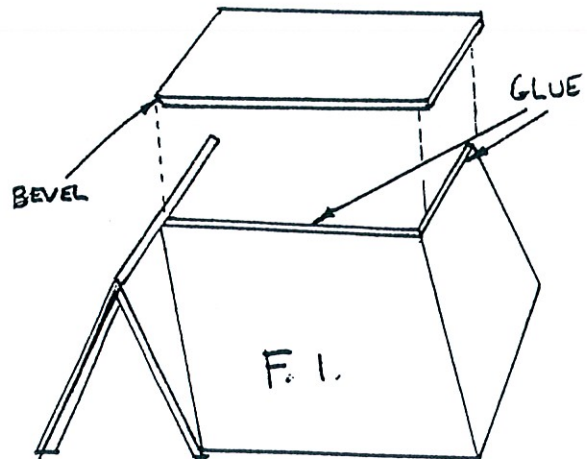
D. 1



D. + E.

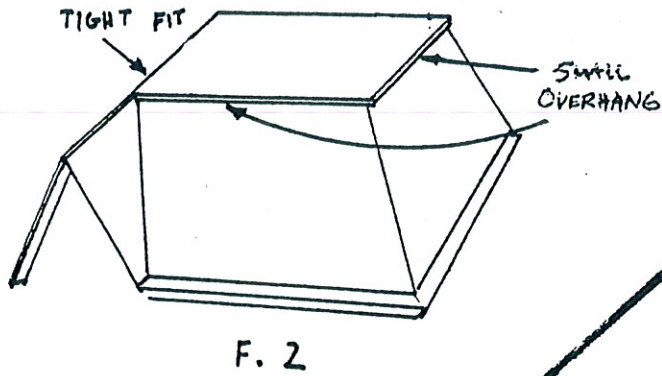


E. 2

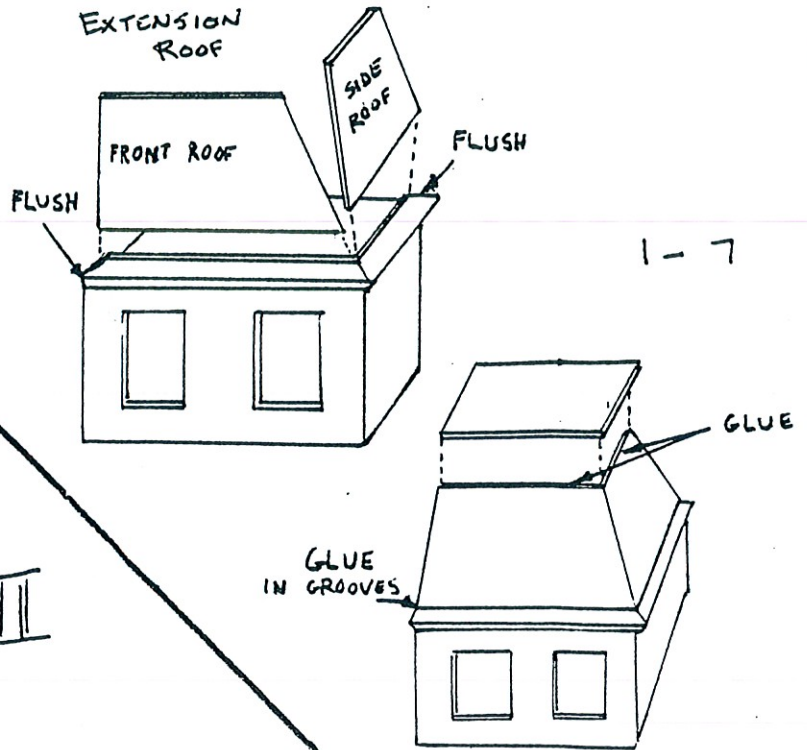


F. 1.

SECTION V (CONTINUED)

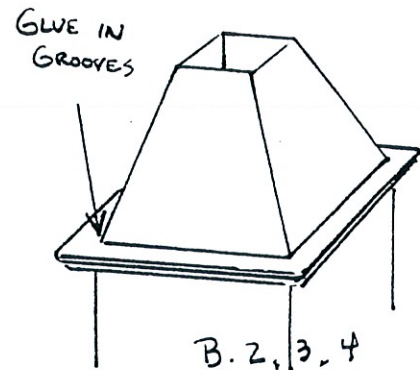
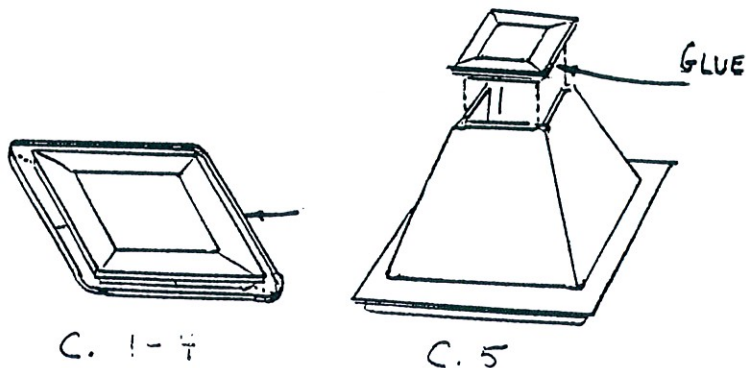
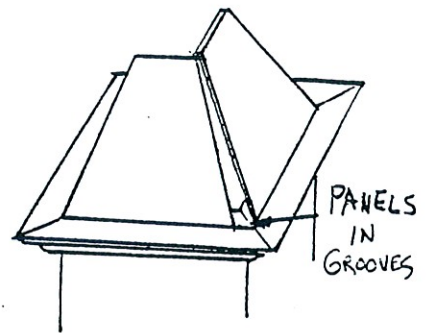
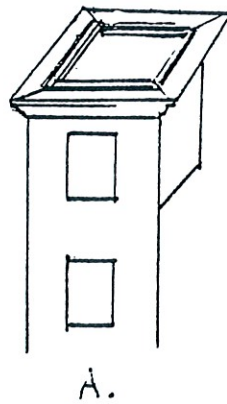
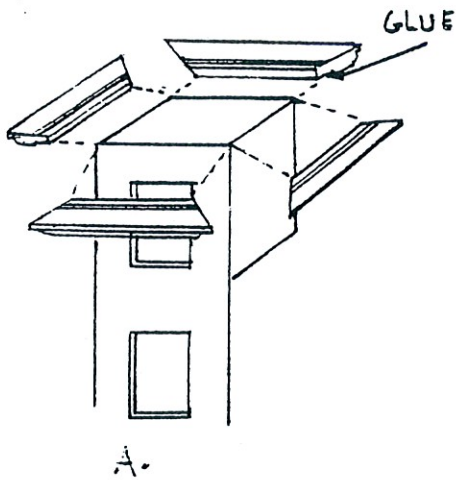


SECTION VI

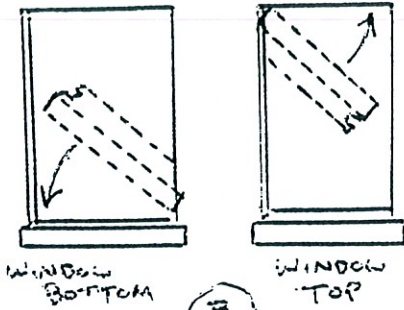


SECTION VII

TOWER ROOF

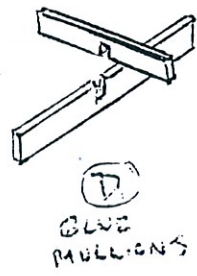


SECTION IX



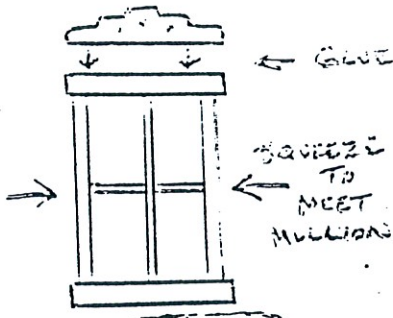
B.

C.

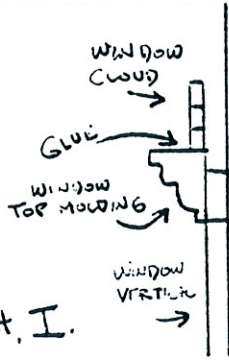


D.

GLUE MULLIONS



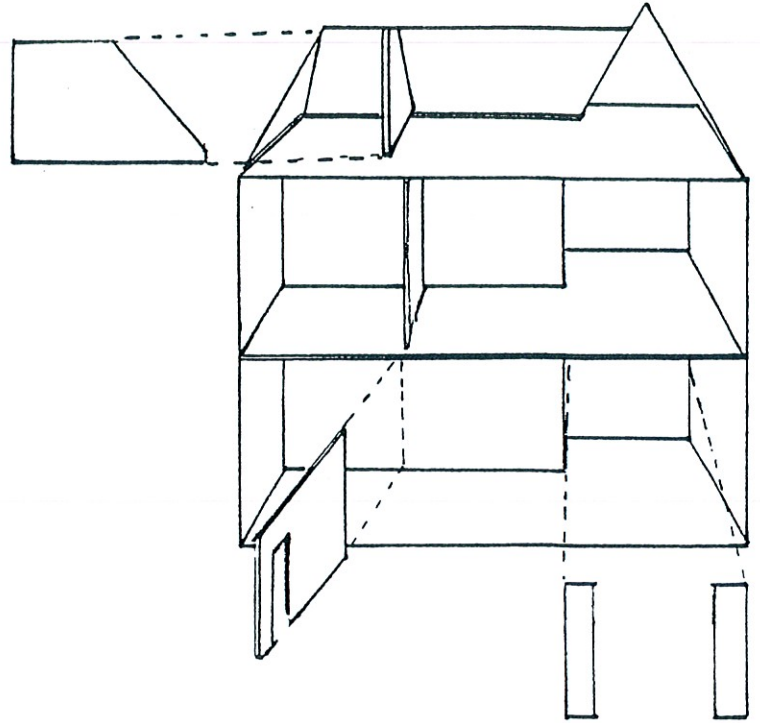
E, F, G.



G, H, I.

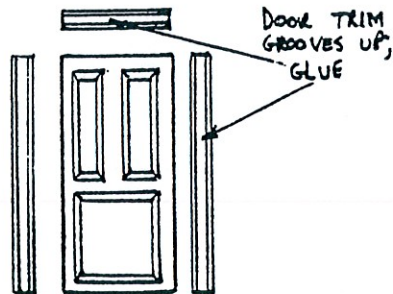
SECTION VIII

INTERIOR PARTITION LOCATIONS



SECTION X

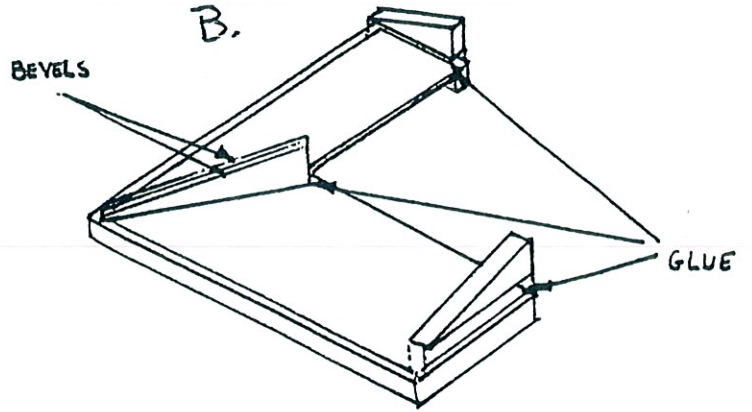
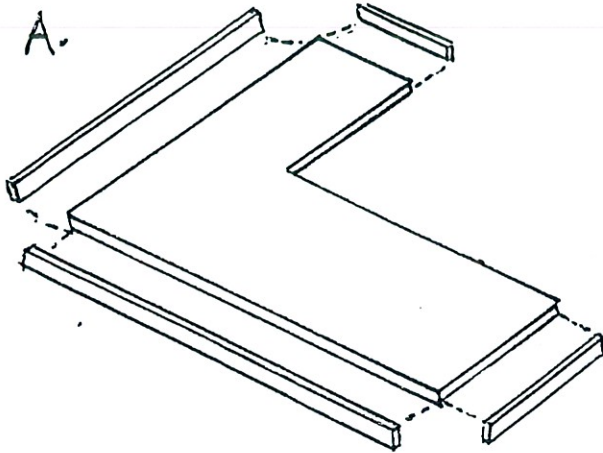
DOOR ASSEMBLY



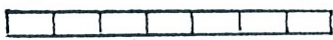
SECTION

WRAPAROUND PORCH

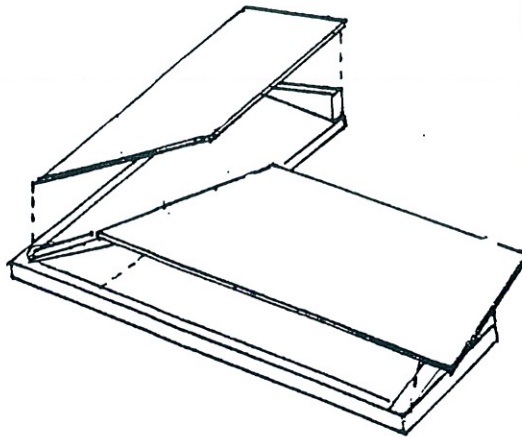
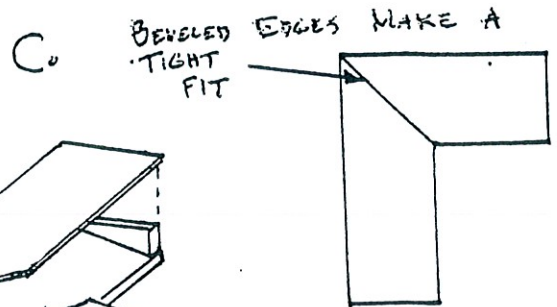
XI



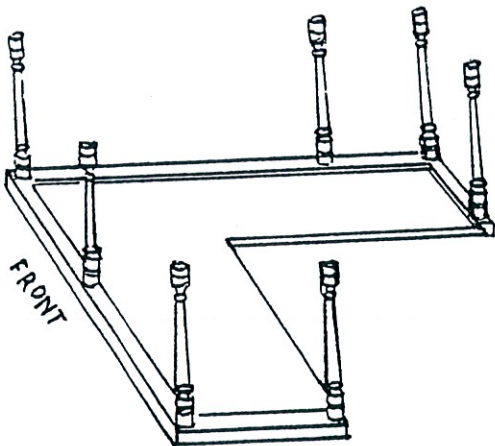
LEAVE THE SAME SPACE ON ENDS



D. 2

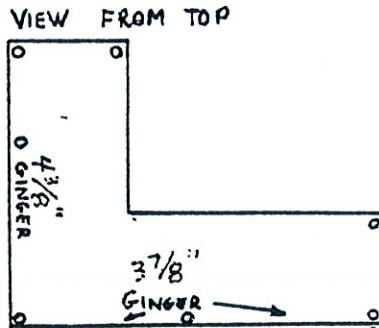


VIEW FROM TOP



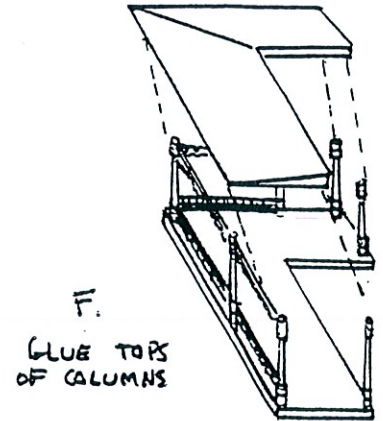
WRAPAROUND PORCH COLUMN ARRANGEMENT

E. 1.



GINGERBREAD ARRANGEMENT

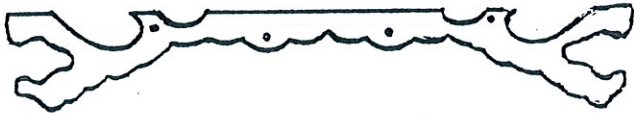
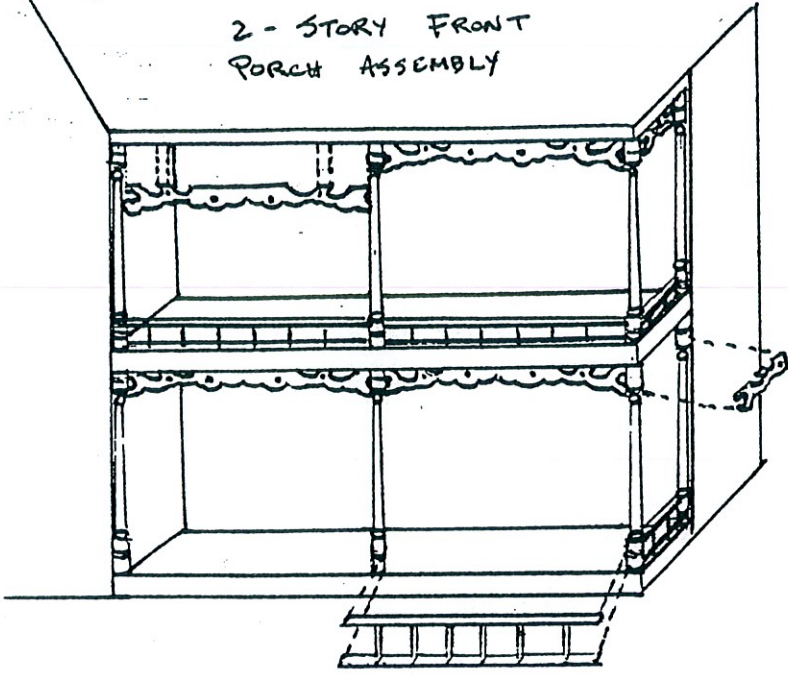
E. 2.



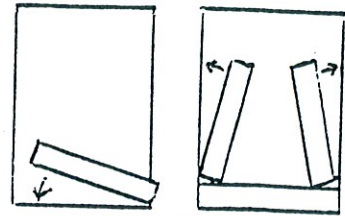
GLUE TOPS OF COLUMNS

SECTION XII

2-STORY FRONT PORCH ASSEMBLY

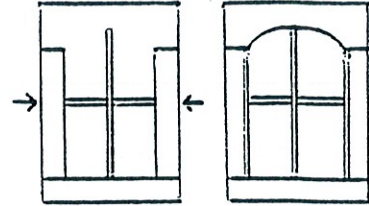


SECTION XIII



A.

B.

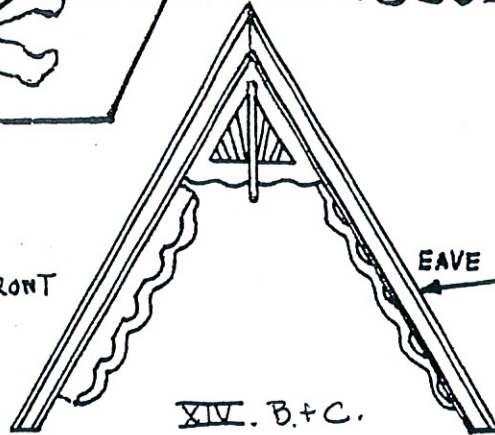


C.

D.

SECTION XIV

CROSS-SECTION
EAVE MOULDING



XIV. B+C.

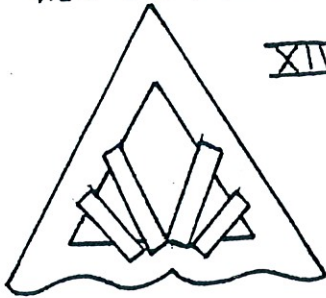


THIS EDGE
FITS OVER ROOF
PANEL

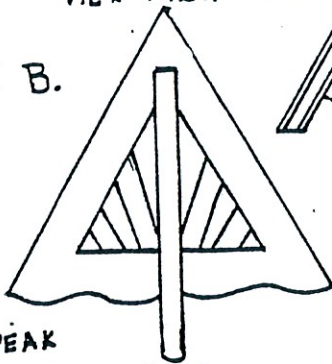
XIV. A.

VIEW FROM BACK

VIEW FROM FRONT



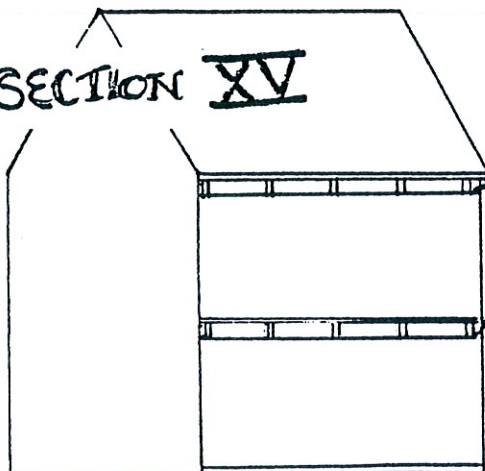
XIV. B.



GABLE GINGERBREAD PEAK

SECTION XV

SECTION XV



TOP LEDGE
MOULDING

BRACKETS

SIDE VIEW OF BRACKET

(21)

