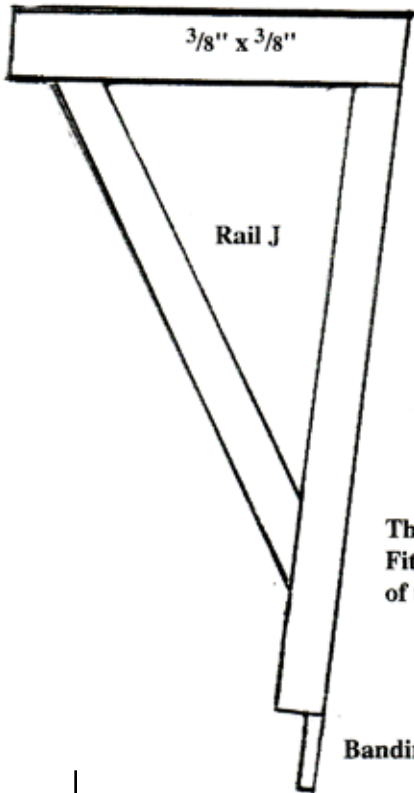
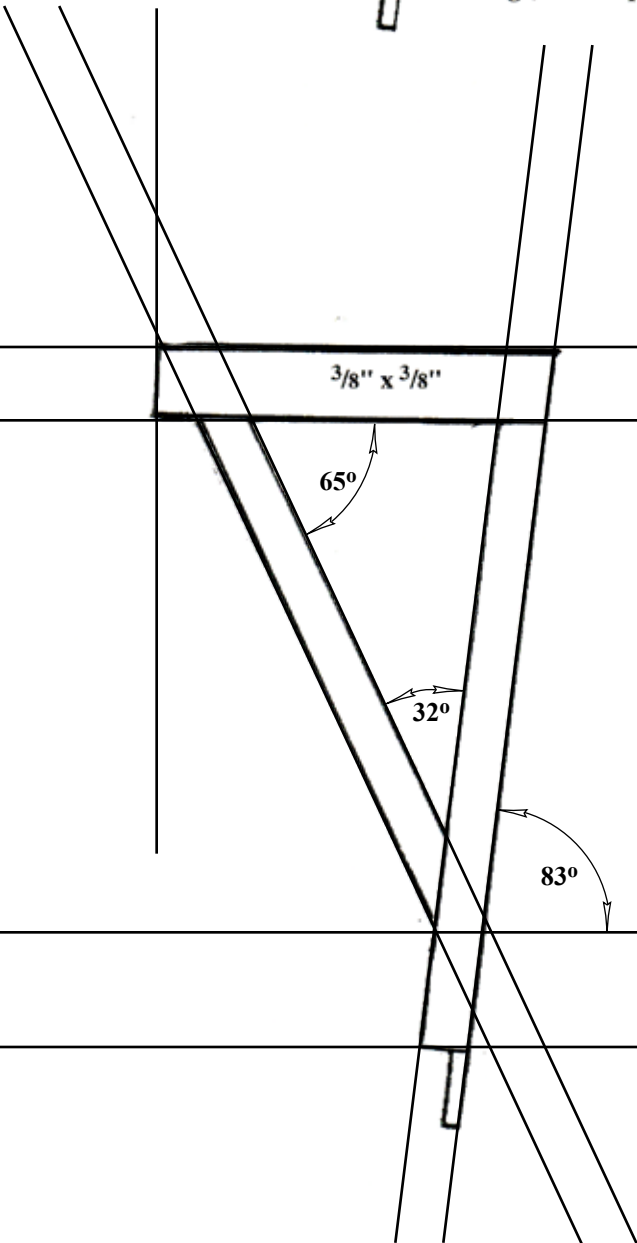
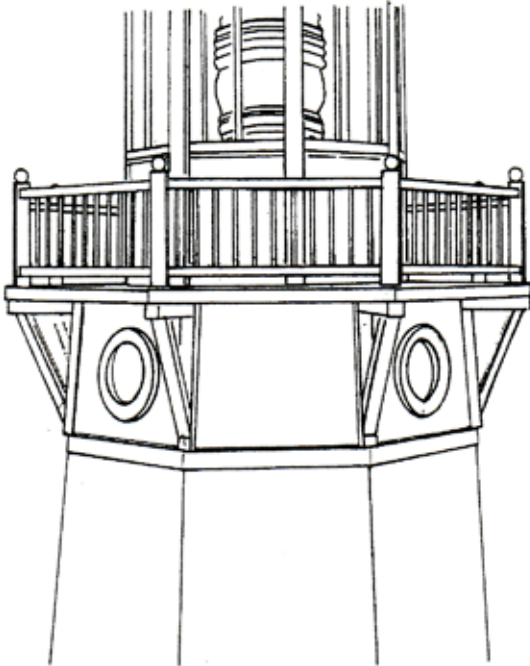


Trim:

Cut trim stock to fit, using a fine toothed saw, a sharp utility knife, or scissors. Plan ahead to cut the longest pieces first. Paint then glue and tape the Trim in place.



The Grooved Edge Fits over the Corner of the Walls



If you print this page for use as a cutting template, choose "no scaling" in the print dialog box