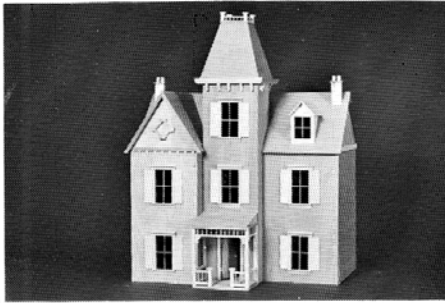
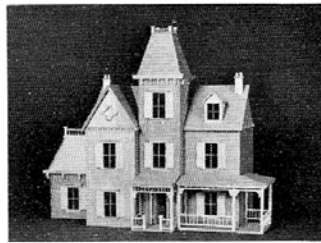


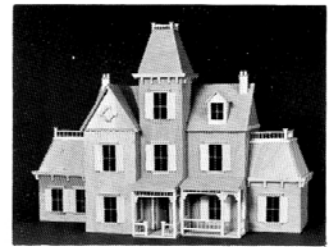
# #3200 SERIES MASTER INSTRUCTIONS



The Altamont  
#3200, The Basic House



The Hardwick  
#3201



The Hayward Mansion  
#3202

## 3200 The Altamont

- 1 F-4 Large Basic Unit
- 1 A-14 Large Colonial Roof
- 1 A-40 Col. Roof Hor. Strip
- 1 A-50 Tower
- 1 E-3 11-5/16" Front Panel
- 1 E-1 Gable
- 1 D-80 Colonial Roof Triangle
- 1 C-5 8" Straight Porch Roof
- 1 C-10 8" Straight Porch Panel
- 1 B-62 1" Front Strip
- 1 B-15 Left Gable Roof
- 1 B-18 Right Gable Roof
- 1 D-1 Front Door
- 1 D-10 45° Dormer
- 1 D-16 (10) Brackets
- 1 D-18 (30) 1-3/4" Dowels
- 1 D-20 1-Window Pack
- 1 D-50 Sloped Colonial Chimney
- 1 D-70 Stairway Pack
- 1 D-25 5-Window Pack

Instructions

## 3201 The Hardwick

- 1 F-4 Large Basic Unit
- 1 E-1 Gable
- 1 A-14 Large Colonial Roof
- 1 A-40 Col. Roof Hor. Strip
- 1 A-50 Tower
- 1 E-3 11-5/16" Front Panel
- 1 B-37 10" Ext. Wall(1-window)
- 2 B-40 Extension Floor
- 1 B-42 14" Ext. Wall(blank)
- 1 B-62 1" Front Strip
- 1 C-25 11-11 Right Wrap Porch Roof
- 2 C-20 11" Straight Porch Panel
- 1 C-10 8" Straight Porch Panel
- 1 C-5 8" Straight Porch Roof
- 1 D-80 Colonial Roof Traingle
- 1 B-7 Mansard Right Ext. Roof
- 1 B-15 Left Gable Roof
- 1 B-18 Right Gable Roof
- 1 D-62 11-11 Right Wrap Porch Ledge
- 1 D-10 45° Dormer
- 1 D-16 (10) Brackets
- 1 D-19 (60) 1-3/4" Dowels
- 2 D-20 1-Window Pack
- 1 D-25 5-Window Pack
- 1 D-50 Colonial Sloped Chimney
- 1 D-70 Stairway Pack
- 1 D-1 Front Door

Instructions

## 3202 Hayward Mansion

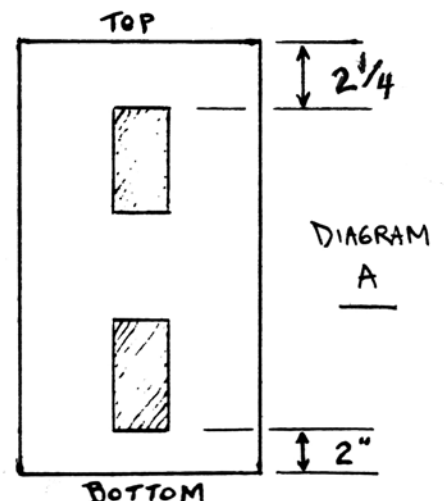
- 1 F-4 Large Basic Unit
- 1 E-1 Gable
- 1 A-14 Large Colonial Roof
- 1 A-40 Col. Roof Hor. Strip
- 1 A-50 Tower
- 1 E-3 11-5/16" Front Panel
- 1 B-35 10" Ext. Wall(blank)
- 1 B-37 10" Ext. Wall(1-window)
- 4 B-40 Extension Floor
- 1 B-42 14" Ext. Wall(blank)
- 1 B-44 14" Ext. Wall(2-window)
- 1 B-62 1" Front Strip
- 1 C-5 8" Straight Porch Roof
- 1 C-10 8" Straight Porch Panel
- 1 C-15 11" Straight Porch Roof
- 1 C-20 11" Straight Porch Panel
- 2 B-5 Mansard Left Ext. Roof
- 1 D-80 Colonial Roof Triangle
- 1 B-15 Left Gable Roof
- 1 B-18 Right Gable Roof
- 1 D-1 Front Door
- 1 D-10 45° Dormer
- 1 D-16 (10) Brackets
- 1 D-18 (30) 1-3/4" Dowels
- 4 D-20 1-Window Pack
- 1 D-25 5-Window Pack
- 1 D-50 Sloped Colonial Chimney
- 1 D-70 Stairway Pack

Instructions

This is your Master Instructions Sheet. These instructions coordinate the individual instructions found in the various parts packages. Note the catalog number of your house and refer to the above photo of your house during assembly.

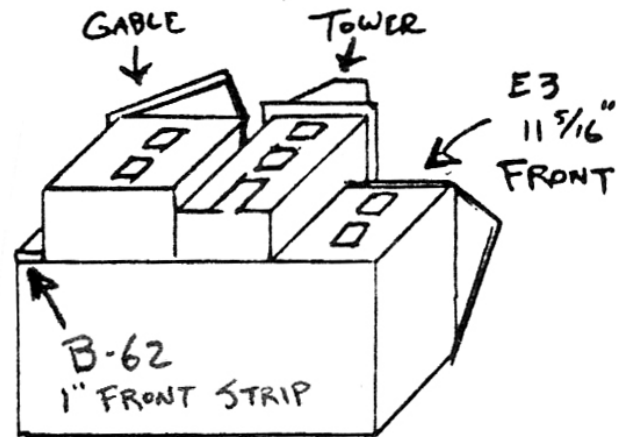
First, open your Basic Unit, labeled "F4". Here you will find instructions with a lengthy introduction, including tips on assembly and techniques we use here at Real Good Toys.

1. Assemble the Basic Unit following the instructions on pages 1 and 2. We recommend that you wait to attach the interior partitions.
2. Then, following instructions in the D25 package, attach window trim to the E3 front panel. Note that the window opening is 2" from the bottom of the panel. See Diagram A.
3. Attach E3 to the Front of the Basic Unit (stairway hole is closer to the front) This makes your dollhouse square: Make sure all three edges of the E3 panel are flush with the floors and sides of the Basic Unit.



4. Assemble Tower (pack A50) using the enclosed instructions. The Tower body is glued to the Basic Unit next to the E3 front panel as shown in Diagram B.
5. Assemble Gable body (pack E1) using the enclosed instructions. The Gable body is glued to the Basic Unit and the Tower as shown in Diagram B.
6. Glue the 1" front strip (part labeled B62) next to the Gable as shown in Diagram B.
7. Open pack D80 and follow the enclosed instructions, using your roof panels labeled A14 and A40. The large cut-outs on the A14 roof panel fit around the Tower and Gable. A hinged rear roof panel (pack A20) is available for your house. See your dealer.
8. Now the Left Gable roof panel (part B15) and the Right Gable roof panel (part B18) should be attached following step #7 on page 2 of the Gable (E1) instructions.
9. Assemble the dormer (pack D10) using the enclosed instructions and attach over the cut-out on the roof panel. Hold with masking tape while the glue dries.

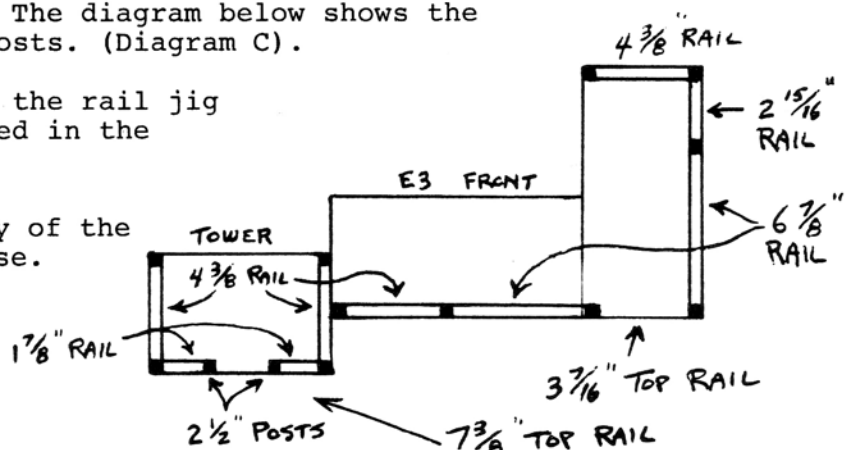
Diagram B



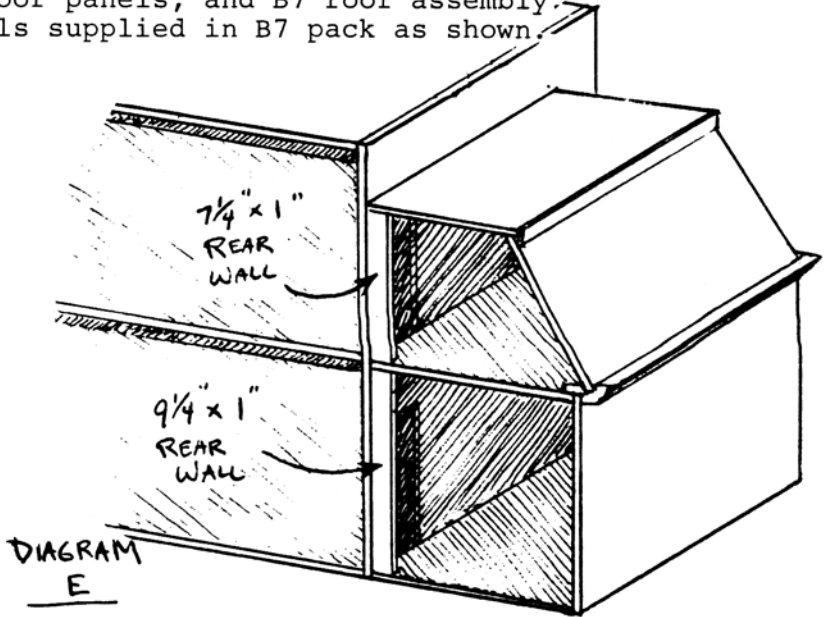
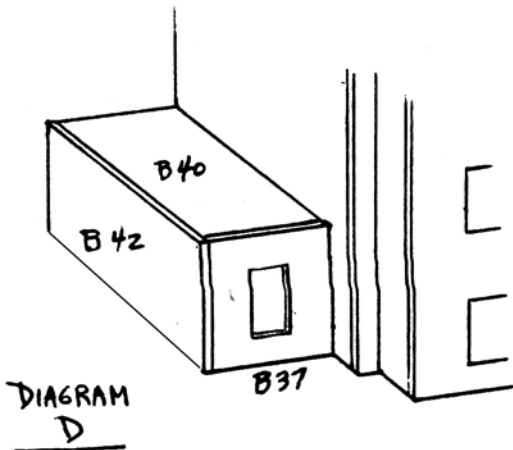
10. Assemble the stairways (pack D70) following the enclosed instructions. Bannisters and landing rails to fit our stairs (pack D72) are available from your dealers.
11. Assemble the chimney (pack D50) following the enclosed instructions.
12. Assemble the small porch used in front of the Tower (parts C5, C10, D16 and D19). Follow the instructions in pack C10, steps A, C, D, E, F, G, and H. The diagram below shows the proper location of rails and posts. (Diagram C).

For assembly of the rails, use the rail jig and instructions that are packed in the F4 (Basic Unit).

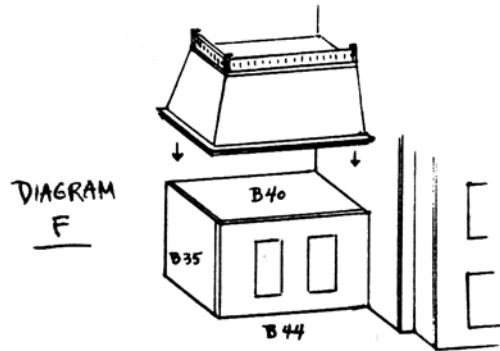
You have now completed assembly of the #3200 Altamont - the basic house. Follow steps 13 and 14 for the #3201 - Hardwick. Follow steps 15, 16 and 17 for the #3202 - Hayward Mansion.



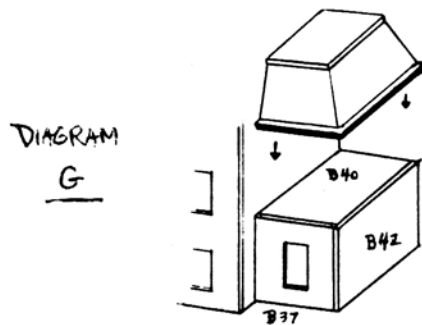
14. Assemble the Left Extension following the instructions packed in the B7 Extension roof package. Use parts D20, B37 short wall, B42 long wall, (2)B40 floor panels, and B7 roof assembly. Place  $7\frac{1}{4}$ " x  $9\frac{1}{4}$ " back walls supplied in B7 pack as shown.



15. Assemble the left extension following the instructions packed in the B5 Extension roof package. Use parts (2)D20, B35 short wall, B44 long wall, (2)B40 floor panels, and B5 roof assembly as shown in Diagram F. Place  $7\frac{1}{4}$ " x  $9\frac{1}{4}$ " back walls found in B7 pack as shown in Diagram E.



16. Assemble the Right Extension. Use parts (2)D20, B37 short wall, B42 long wall, (2)B40 floors, and the other B5 roof assembly. See Diagram G for proper orientation of the parts.



17. Assemble the right-front porch used in front of the E3 front panel (parts C20, C15, D16 and D18). Follow the instructions in pack C20, steps A, C, D, E, F, G, and H. See Diagram H for the proper location of rails and posts.

