

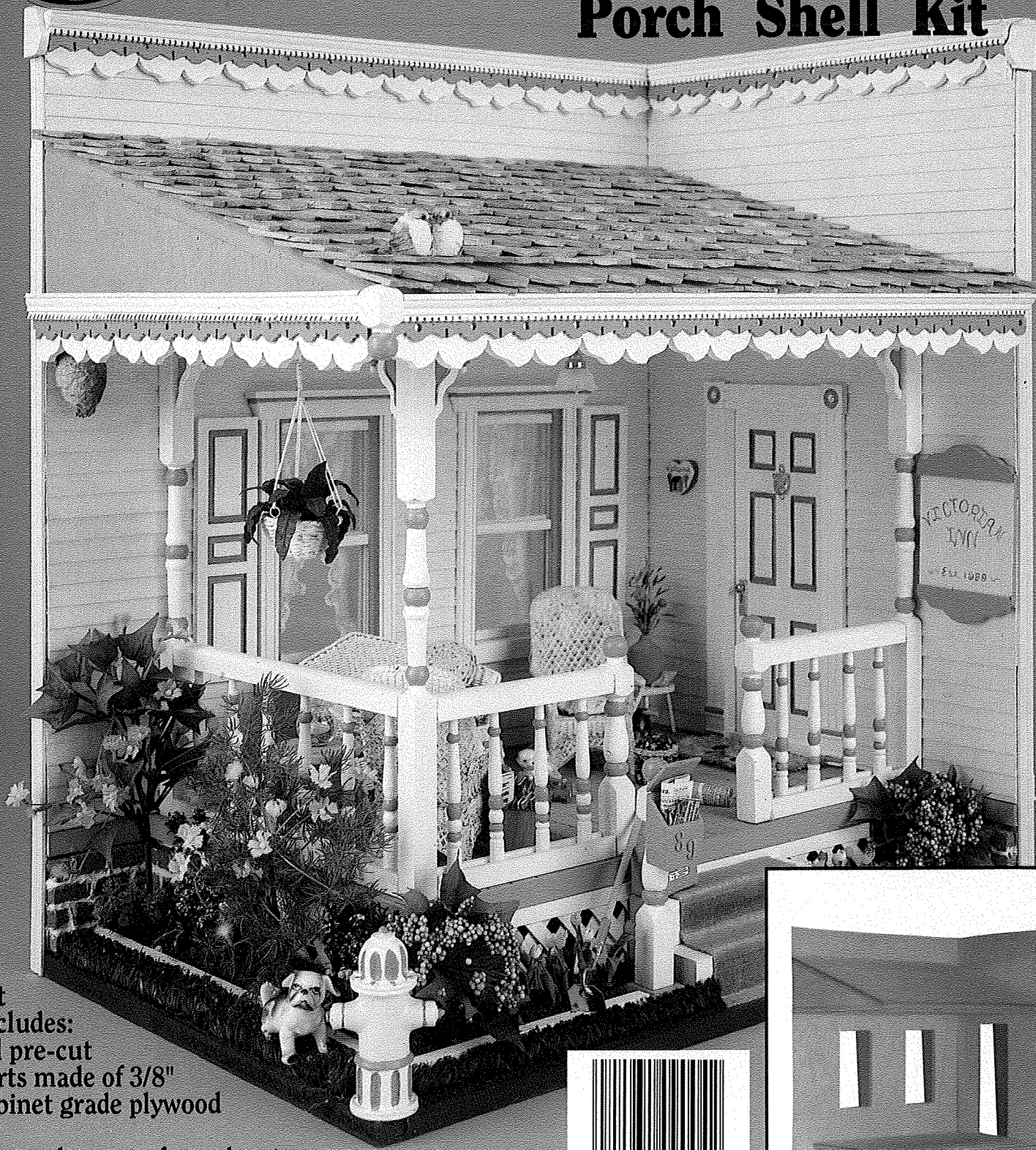
9004



PORCHES

Across America

Porch Shell Kit



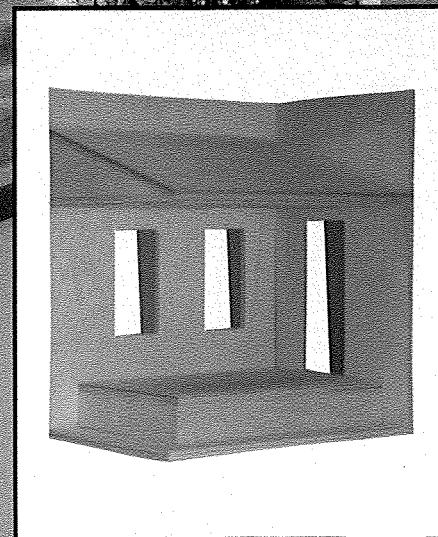
Kit
Includes:
All pre-cut
parts made of 3/8"
cabinet grade plywood

A complete set of step-by-step
instructions for the easiest assembly
possible

Kit does not include components or accessories



Copyright 1991, Houseworks, Ltd.
2388 Pleasantdale Rd. Atlanta, GA
30340, U.S.A. Made in the U.S.A.



Instructions for Houseworks Porch Shell Kit

This porch shell kit is produced by REAL GOOD TOYS to Houseworks' specifications, as an accessory to the *Houseworks Porch Planbook*. The packs enclosed are listed in the part list (below). All other parts for the planbook porches must be acquired elsewhere.

As you are building this porch, take your time and plan ahead. The sequence of assembly described in these instructions does not direct you in dealing with finishing procedures such as wall coverings and painting. Some parts (railing sections, turnposts, wall hangings) are far easier to paint before attaching to the porch. Also, the final position of the porch ceiling and roof is dependent on the length of your porch turnposts (up to 10"). A dry run (without glue) for each section will help to reveal your best path to a successful project.

Trim the window and door corners making them square. Sand the rough edges before beginning assembly.

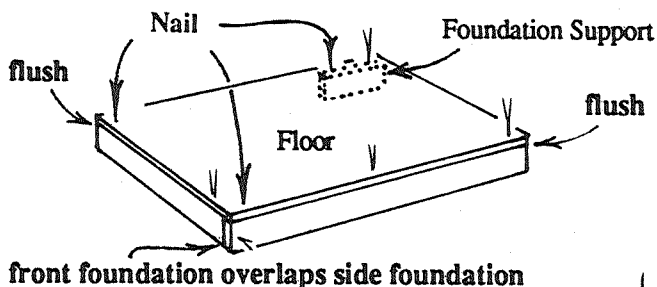
HOUSEWORKS PORCH SHELL KIT PARTS LIST

- (1) Backwall 15 $\frac{7}{8}$ " x 13 $\frac{1}{2}$ ", windows
- (1) Sidewall 15 $\frac{7}{8}$ " x 9 $\frac{7}{8}$ ", door
- (1) Base 13 $\frac{1}{2}$ " x 9 $\frac{1}{2}$ "
- (1) Floor 11 $\frac{7}{8}$ " x 7 $\frac{7}{8}$ "
- (1) Front Foundation 11 $\frac{7}{8}$ " x 1 $\frac{1}{8}$ "
- (1) Side Foundation 7 $\frac{1}{2}$ " x 1 $\frac{1}{8}$ "
- (1) Foundation Support ~3" x 1 $\frac{1}{8}$ "
- (1) Ceiling 13 $\frac{1}{4}$ " x 9 $\frac{1}{4}$ "
- (2) Triangle 9 $\frac{1}{4}$ " base x 2 $\frac{3}{4}$ " tall
- (1) Roof 13 $\frac{1}{2}$ " x 9 $\frac{7}{8}$ ", beveled
- (1) Upper Stair 3/4 x 3
- (1) Lower Stair 1 1/2 x 3
- (1) Door Adjustment Block
3 1/16 x 1/2 - Adjusts
the door rough opening to
fit your selected door

1. THE PORCH FLOOR AND FOUNDATION (ILLUSTRATION #1)

- A. Glue and nail the front foundation (11 $\frac{7}{8}$ " x 1 $\frac{1}{8}$ ") to the side foundation (7 $\frac{1}{2}$ " x 1 $\frac{1}{8}$ ").
- B. Glue and nail the porch floor (11 $\frac{7}{8}$ " x 7 $\frac{7}{8}$ ") to the foundation assembly. Make sure that the foundation ends are perfectly flush with the porch floor edge.
- C. Glue and nail the foundation support (3" x 1 $\frac{1}{8}$ ") to the rear corner of the porch floor.

ILLUSTRATION #1



2. THE BASE AND WALLS (ILLUSTRATION #2)

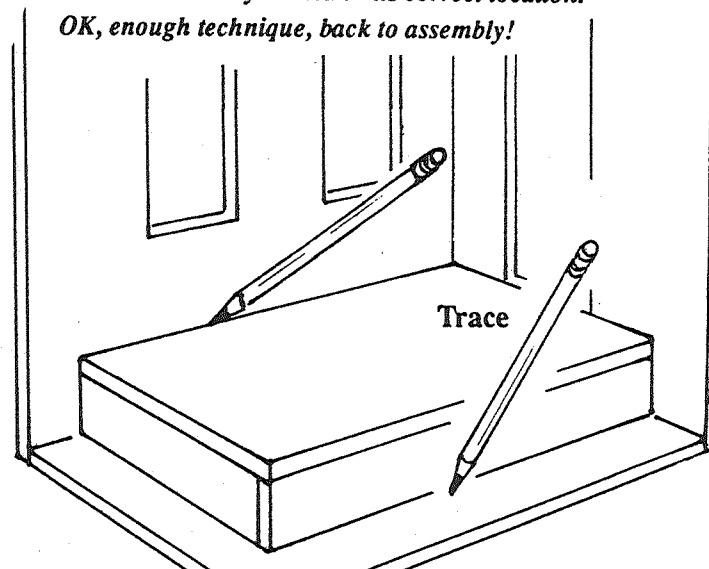
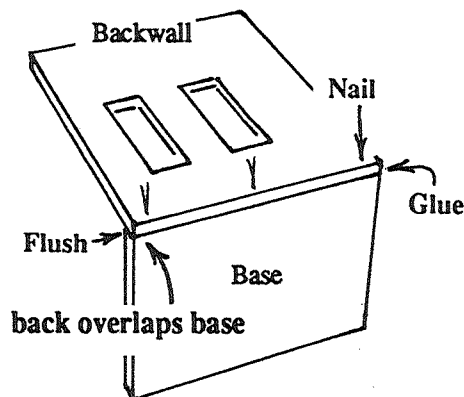
- A. Glue and nail the backwall (15 $\frac{7}{8}$ " x 13 $\frac{1}{2}$ ", windows) to the base (13 $\frac{1}{2}$ " x 9 $\frac{1}{2}$ ").
- B. Glue and nail the sidewall (15 $\frac{7}{8}$ " x 9 $\frac{7}{8}$ ") to the base/wall assembly.
- C. Set the porch floor assembly into place on the wall assembly. Trace the foundation on the base and trace the floor on both walls.

Let's take some time out for a technical explanation. Pre-punching a nail hole is a sure-fire method to determine the exact spot for nailing into a hidden support.

- 1) On a work bench or thick stack of scrap newspapers, lay the panel on its face with the tracing up.
- 2) Start a nail $\frac{3}{16}$ " inside the tracing mark ("inside" means toward the center of the piece you traced).
- 3) Hammer the nail far enough to punch it through the exterior surface and then remove the nail.
- 4) When you turn the piece over, you will have a hole already started in its correct location.

OK, enough technique, back to assembly!

ILLUSTRATION #2



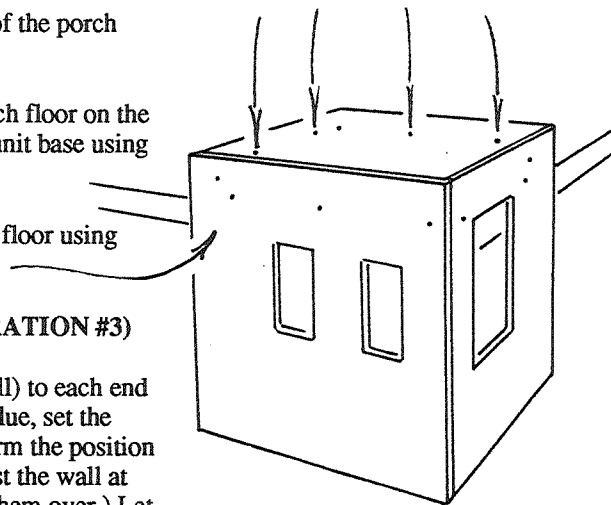
D. PRE-PUNCH for nailing the base and walls to the porch floor assembly.

E. Spread glue along the contact edges of the porch floor assembly; set it in place.

F. Turn the unit over supporting the porch floor on the corner of your workbench. Nail through the unit base using the pre-punched holes.

G. Nail through the walls into the porch floor using the pre-punched holes.

nail through prepunched holes



3. THE CEILING AND ROOF (ILLUSTRATION #3)

A. Glue one triangle (9¼" base x 2¾" tall) to each end of the porch ceiling (13¼" x 9¼"). Without glue, set the ceiling unit on top of the porch floor to confirm the position and fit of the triangles ... they must sit against the wall at the back. (NO? try moving them, or turning them over.) Let the triangles dry in place.

B. Nail through the ceiling into the triangles (not too close to the pointed end).

C. Glue the porch roof to the triangles. See that the beveled edge of the roof makes a straight line with the back edge of the triangles.

Once again, confirm the position and fit of the roof by dry testing in the wall unit.

4. WHEN THE TIME COMES to attach the ceiling and roof to the wall unit, trace, pre-punch, then glue and nail as you did with the porch floor assembly. (ILLUSTRATION #4)

That's it for the shell kit, the rest is up to you!

ENJOY!

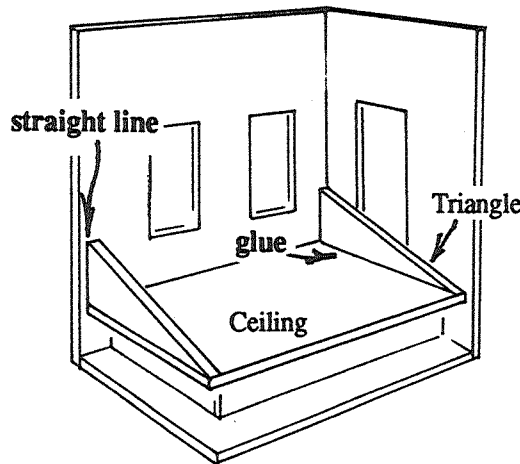


ILLUSTRATION #3

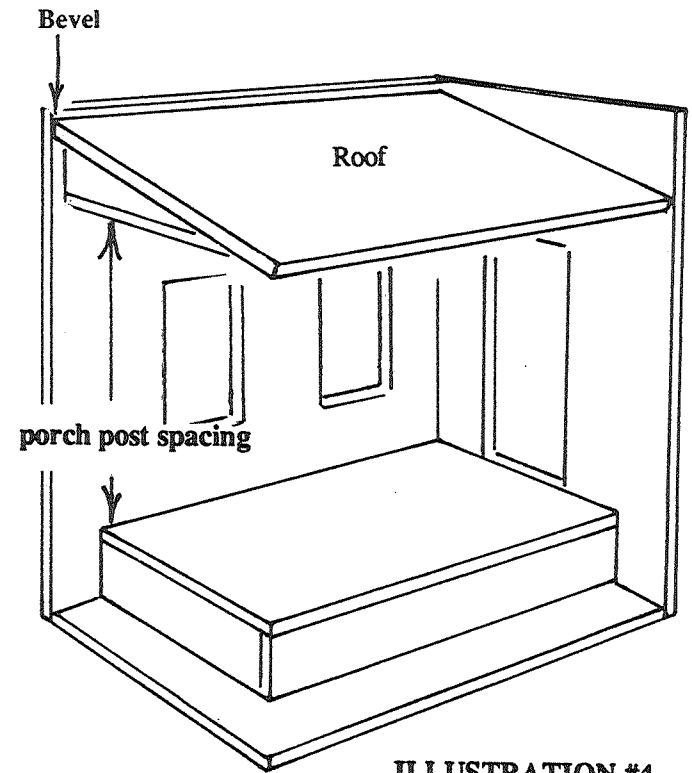


ILLUSTRATION #4

