

Assembly Instructions

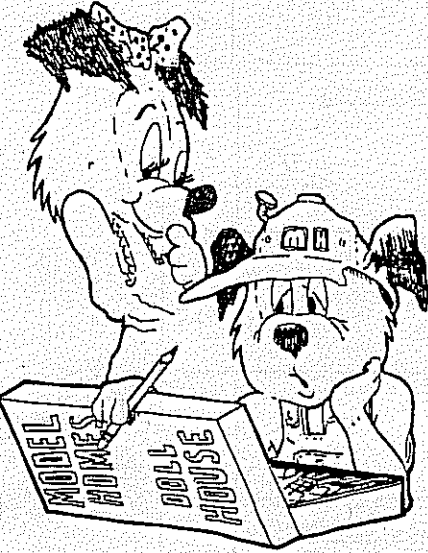
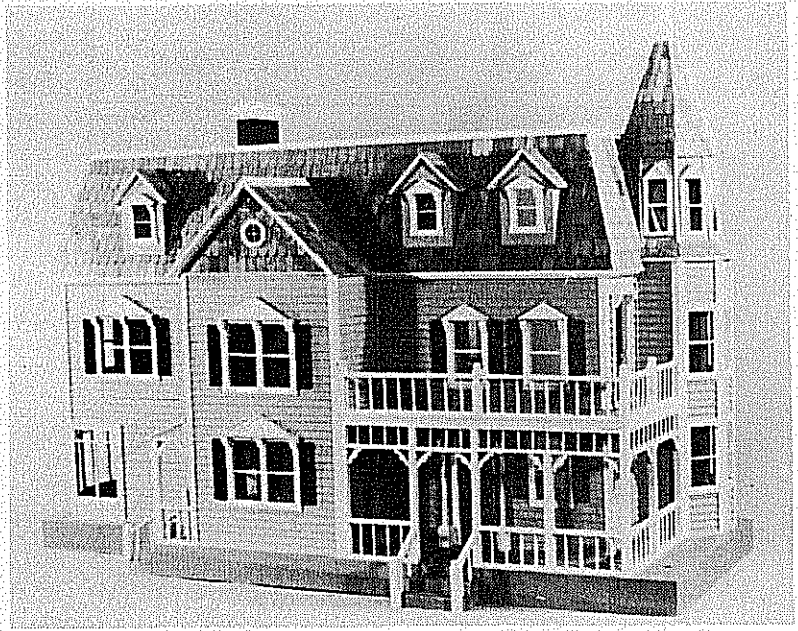
MODEL HOMES 1004 Mansion

GETTING STARTED

At first glance this kit may look complicated with many small parts. But, if you take your time and carefully follow these instructions, you will create a truly beautiful scale model Doll House, which could easily become a family heirloom.

The most important step is to READ all instructions before starting. Identify all parts and label them with part numbers. Practice the assembly steps without glue first, to become familiar with how the parts go together.

Gather-up the following materials before starting; Tape measure; yardstick; pencil, razor knife; masking tape; sandpaper; string. You may also find some small tools helpful; Carpenter square; file; clamps; small coping saw; electric glue gun.

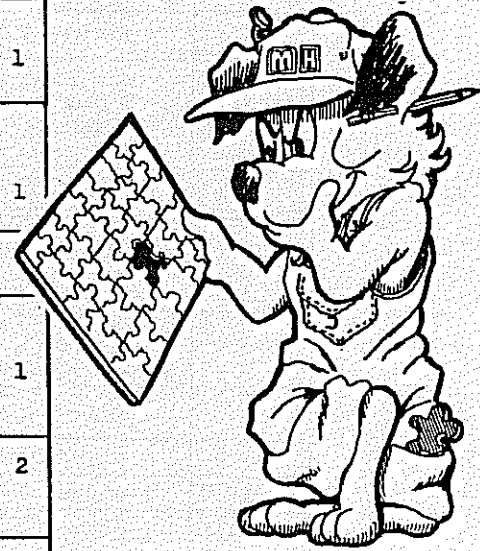


GENERAL HINTS: GLUE--Choose a white wood glue with quick setting properties. Model Homes brand "Doll House Builder's Glue" has been specially formulated for wood doll house construction and is recommended. However, you may use any good quality wood glue. SANDING--For a better finish, sand parts before assembly. PAINTING--It may be easier to pre-paint some parts, such as window shutters, before assembly. Always seal your doll house, both inside and out, with a suitable primer before applying final paint. HOW MUCH GLUE? Use glue sparingly and always wipe-up excess glue before it dries. An electric glue gun will save time in shingling your house.

STEP 1. Sort & Identify all parts. Mark part numbers on all parts.

Part No.	SIDING (Bundles & Bags)	Qty
A-10	16 1/2 long	4
A-18	14-7/8	4
A-2	14	7
A-7	11 1/2	6
A-19	10-3/8	5
A-20	7-3/4	2
A-21	6-5/8	3
A-6	5 1/2	27
A-4	3	18
A-5	2-3/4	42
A-22	6-3/8	7
A-15	2-5/8	3
A-8	2 1/2	6
A-23	2	5
A-24	1-3/8	5
A-9	1 1/2	10
BUNDLE: Cornerposts		
E-1	19" long	1
E-2	19" long	6
E-24	19" long	4
BUNDLE: Long Moldings		
E-22	11-5/8	1

E-27		16"	1
E-28		16"	1
E-29		17 1/2"	1
E-43		19-1/8	1
E-41		19-3/4	1
E-23		11-5/8	1
BAG: Short Moldings			
E-30		7 1/2	1
E-32		10 1/2	2
E-36		9-11/16	2
E-38		8-3/8	4
E-39		9	2
E-40		8-3/8	1
E-42		12 1/2	1
P-8		5-11/16"	4



MISSING PARTS?

Every effort has been made to supply adequate parts. If however, you find a part has been omitted or is defective, replacement parts can be ordered at no charge by USING THE INSPECTION FORM in this kit. Include the model number of this kit and order by part number. Please save any parts for which defective claim is made; you may be requested to return them for inspection.

<u>BUNDLE: Vy Long Moldings</u>			
E-33		40-3/4	1
E-34		36	1
E-35		43	2
E-37		39	1

<u>BAG: Conservatory</u>			
B-34		4 1/2"	1
B-37		3-5/16	2
B-38		6-7/8	1
B-39		4-1/8	2
B-41		6-7/8	1
B-42		3-5/16	2
E-25		7 1/2	2
E-26		7 1/2	2
<u>BAG: Door Parts</u>			
B-2		3"	3
B-4		7 1/2	7
B-10	Pine Block: 3/4x3/4x1"		2
B-9	Pine Block: 3/4x3/4x1 1/2"		2
B-11		5"	2
B-13	Plywd Door 1/2x2 1/2x7-7/16		3
<u>BAG: Chimney</u>			
J-7	3/4 Pine 3x3 1/2		2
J-8		1/2x2x4	1
J-9	1/2 plywd. 1-3/4x3-3/4		1
J-10	1/2 plywd. 1-15/16x3-15/16		1
J-11	1/2 plywd. 2-1/8x4-1/8		1

<u>BAG: Misc. Parts</u>			
B-29	3/16x1/2x4 1/2 plywd		3
B-45	1/2x3/4x5 1/2 plywd		1
B-46	1/2x3/4x3 1/2 plywd		4
B-47	1/2x3/4x6-1/8 plywd		3
B-48	1/2x3/4x3-3/4 plywd		1
B-56	1/2x1 1/2x4-1/8 plywd		1
B-57	1/2x1 1/2x3-5/16 plywd		2
B-58	1/2x1 1/2x6-7/8 plywd		1
K-9	1/2x3/4x2-5/8 plywd		4
E-31		2"	2
F-4	1/8 dowels 2"		14
L-16	1" wood finial		1


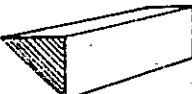

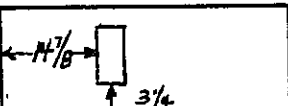


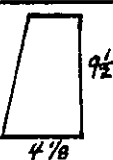
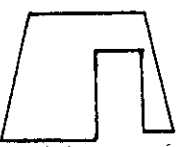
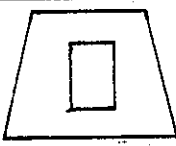
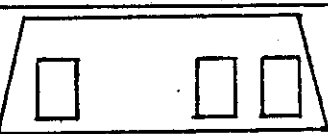
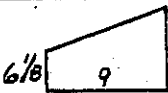
<u>BAG: Main Porch</u>			
H-17		9 1/2"	5
H-12		3"	2
H-3		7 1/2"	2
H-18	3/16 dowels--1 1/2"		27
H-7	3/16 dowels--2 1/2"		26
H-8	3/4 Pine: 2 1/2x4-3/4		1
H-9	3/4 Pine: 1 1/2x4-3/4		1
H-16	1/2" wood buttons		2
E-44	1/2x1 1/2x6" pine		1
H-23		11 1/2"	2
H-21		9 1/2"	2
H-22		5 1/2"	4
H-19		4 1/2"	8
H-20		3-3/4"	2
H-6		3 1/2"	2

<u>BAG: Window Parts</u>			
B-1		2-5/8	6
B-36		5 1/2"	6
B-3		4 1/2"	12
B-40		2-3/8"	12
B-33		1/2"	17

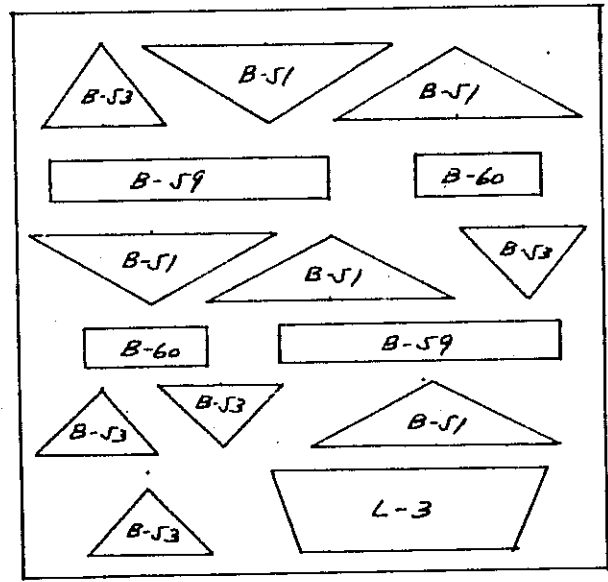
<u>BAG: Service Porch</u>			
H-3		7 1/2"	3
H-12		3"	3
H-13		1 1/2"	2
H-14		2 1/2"	2
H-6		3 1/2"	2
H-15		5-3/4"	1
H-16	1/2" wood buttons		3
H-7	3/16 dowels--2 1/2" long		9
H-8	3/4 pine: 2 1/2x4-3/4		1
H-9	3/4 pine: 1 1/2x4-3/4		1

<u>BAG: Balcony Parts</u>			
H-12		3"	5
H-16	1/2" wood buttons		5
H-7	3/16 dowels--2 1/2"		26
H-22		5 1/2"	4
H-25		9-1/8"	4

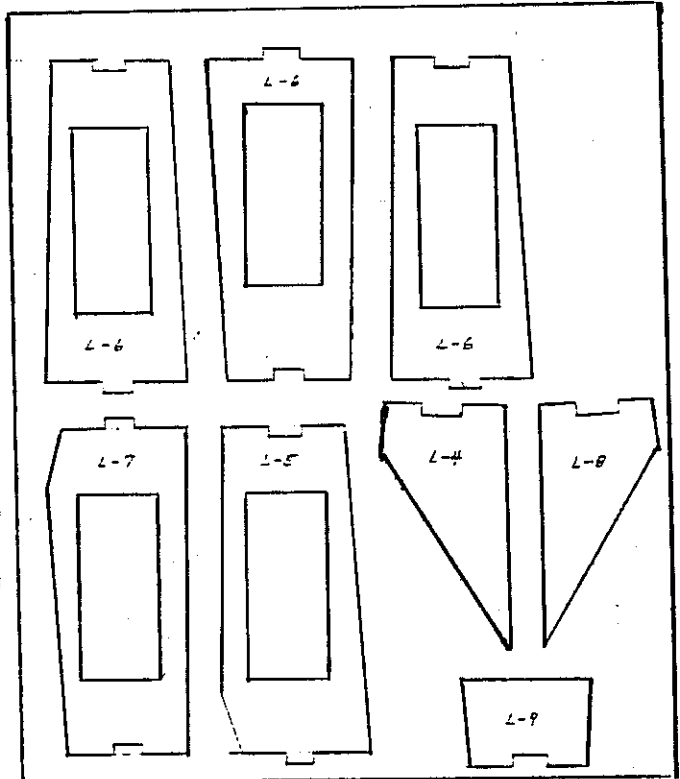
<u>BAG: Dormer</u>			
K-6		2 1/2"	12
K-11		2 1/2"	4
K-12		1"	8

BAG(s) Stairs--2 bags/kit		
F-1	3x12-7/8 hardboard	1
F-2	 13" 3"	1
F-3		2
F-4	1/8 dowels--2" long	16
F-5	 3"	12
PANELS: 3/8 fiberboard		
C-2	14 1/2 x 3 1/2	1
C-3	6 1/2 x 3 1/2	1
C-4	6 1/2 x 2 1	1
C-5	1-7/8 x 19	4
C-6	1-7/8 x 20-1/4	3
C-7	14 x 15-7/8	1
C-8	1-7/8 x 14	2
C-9	1-7/8 x 15-1/8	1
PANELS: 1/4 hardboard		
D-13	 6	1
PANELS: 3/16 plywood		
D-27	 11 7/8 3/4	1
D-28	 11 7/8 3/4	1
D-29	10-3/8 x 39-3/4	1
D-30		2
D-31	9 x 9 1/2	4
D-32	6 x 11 1/2	1
PANELS: 1/8 hardboard		
D-34	3-3/16 x 6-9/16	1
D-35	6 x 19-13/16	1
D-36	3-3/4 x 6	1
D-37	 9 1/2 4 7/8	2
D-38		1
D-39		1
D-40		1
D-41	 6 1/8 9	2
SHINGLE SHEETS		
G-1	3/4 x 1 1/2" Shingles	
E-3	1/8 x 3/16 strips (may be balsa or pine)	

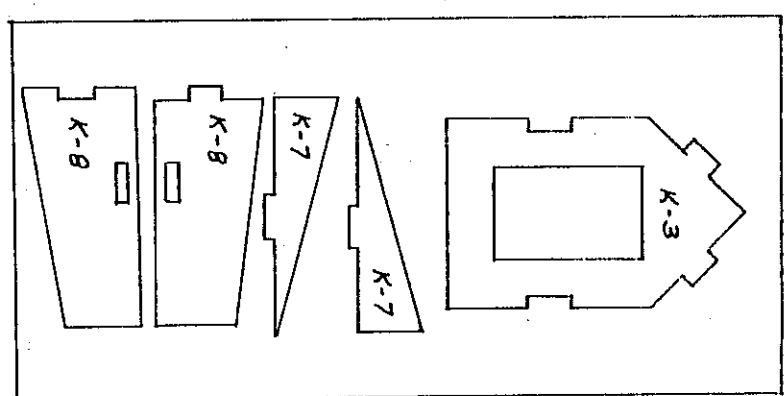
Sheet No.	DIE-CUT Plywood	Qty Sheets
II	Window trim & tower	3
III	Tower	1
IV	Dormer	4
V	Shutters & trim	2
IX	Misc.	1
X	Window trim	2
XI	Tower	1
XIII	Conserv. & tower	1
XV	Tower roof	1
XVII	Window & porch trim	2
XXIV	Window & door trim	1



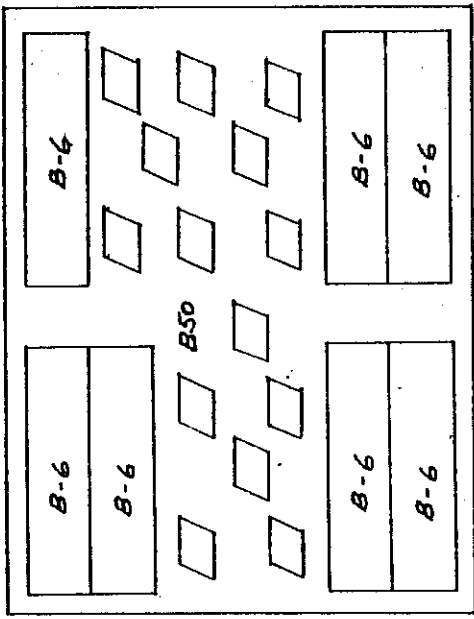
Die-Sheet II



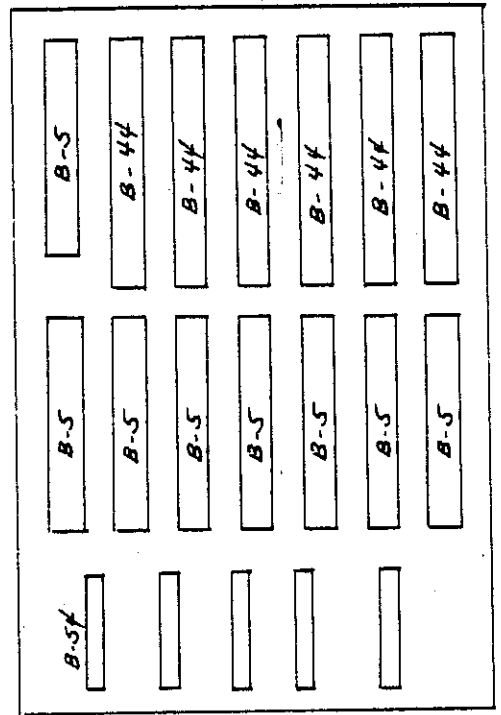
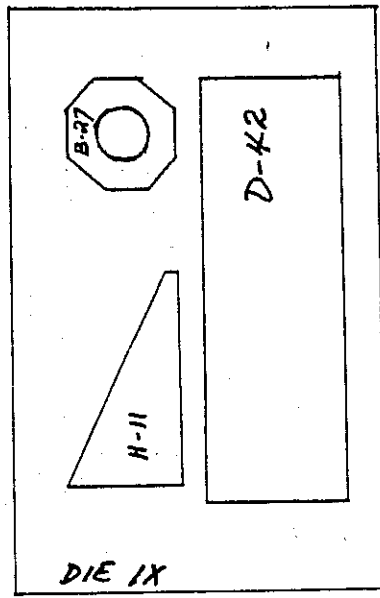
Die Sheet III



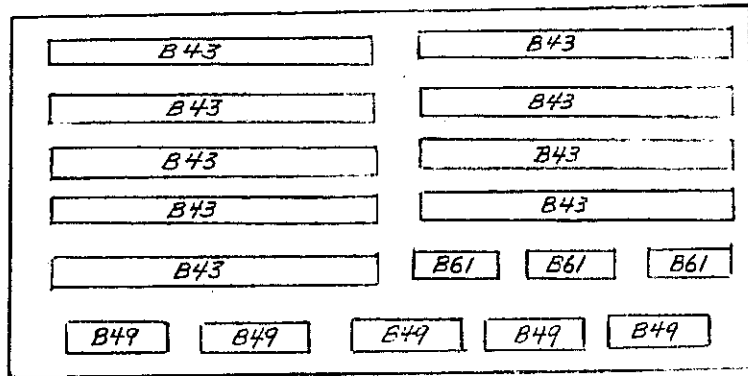
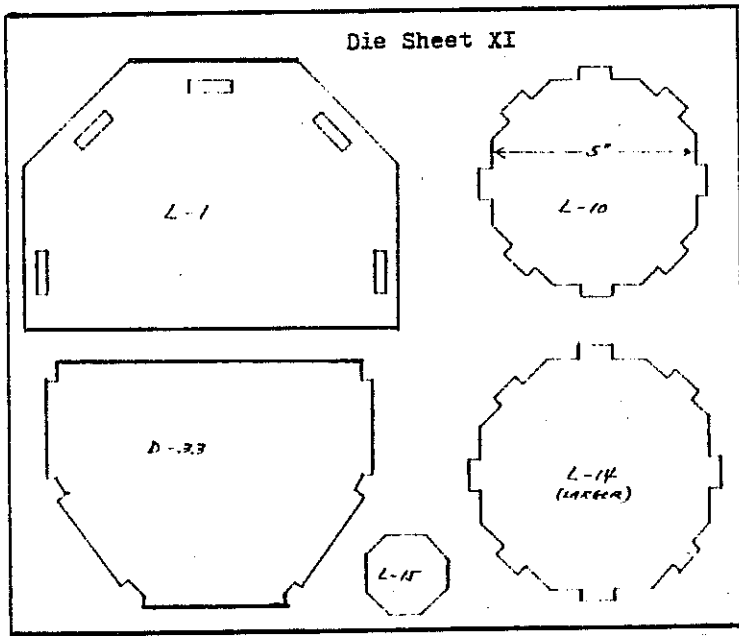
Die Sheet IV



Die Sheet V



Die Sheet X

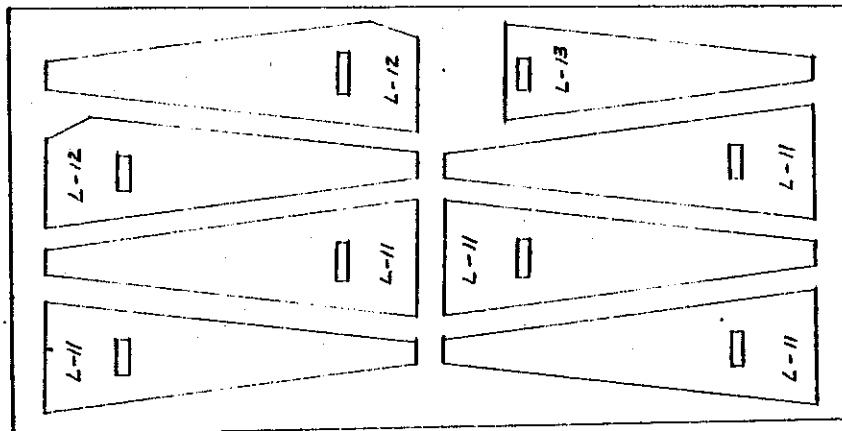


Die Sheet XIII

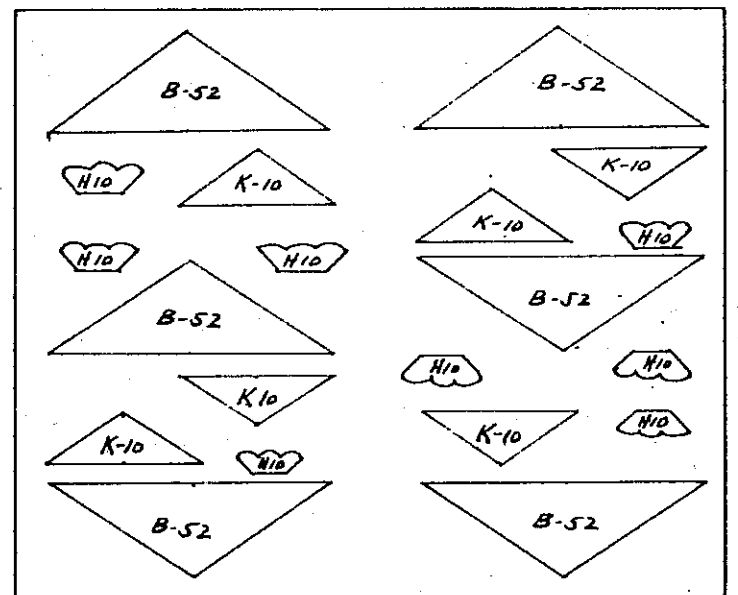
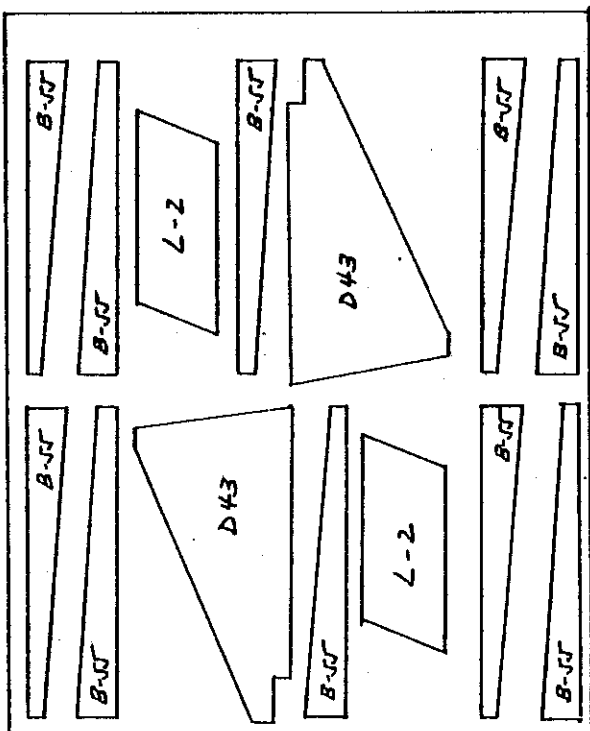
4

1004

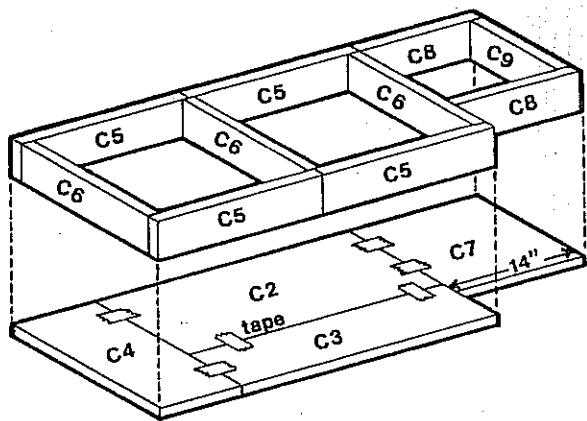
Die Sheet XXIV



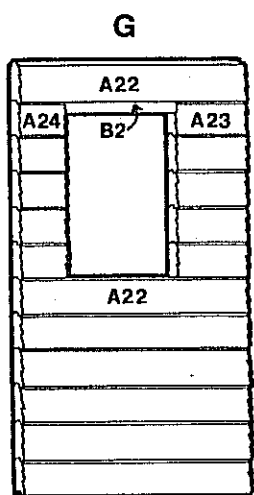
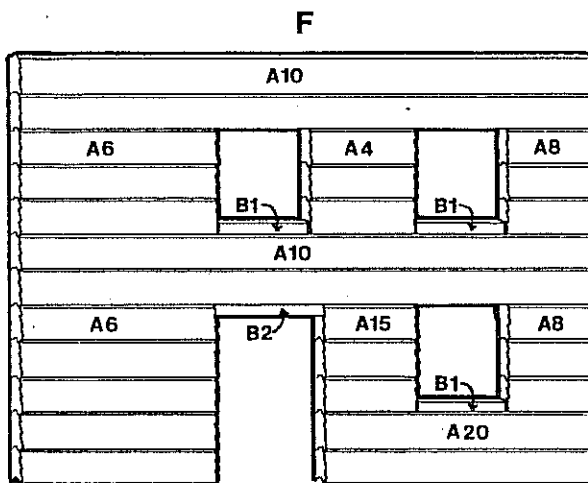
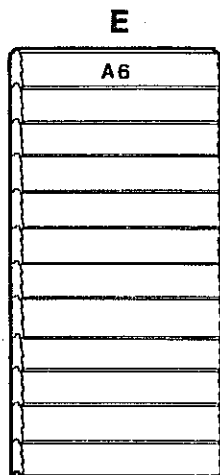
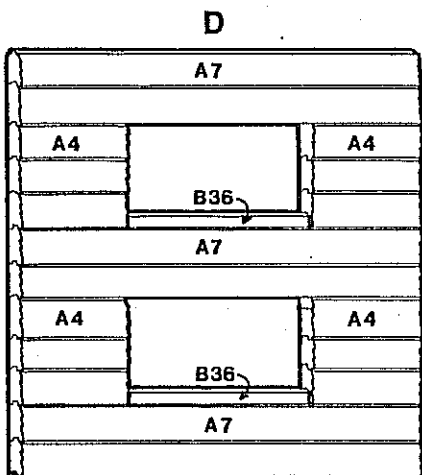
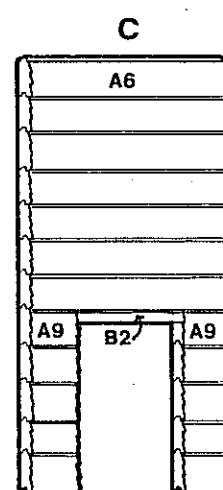
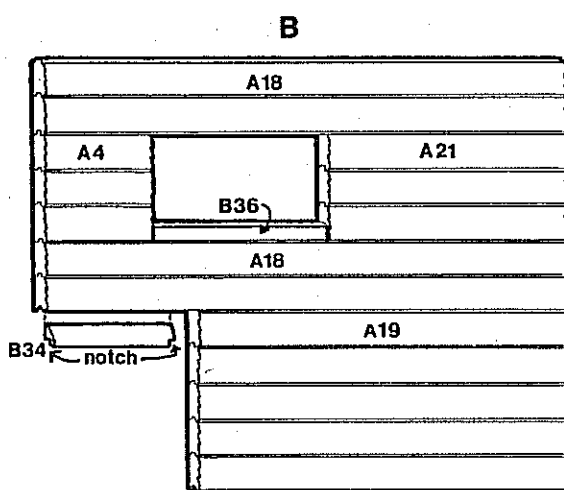
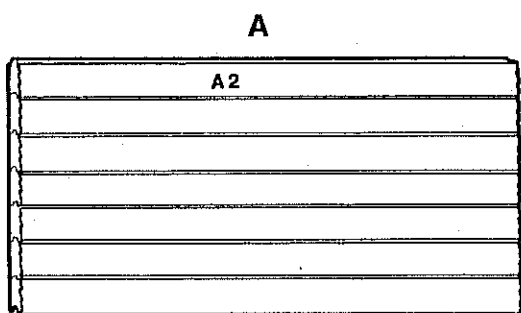
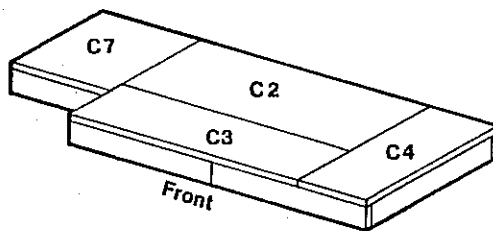
Die Sheet XV



Die Sheet XVII

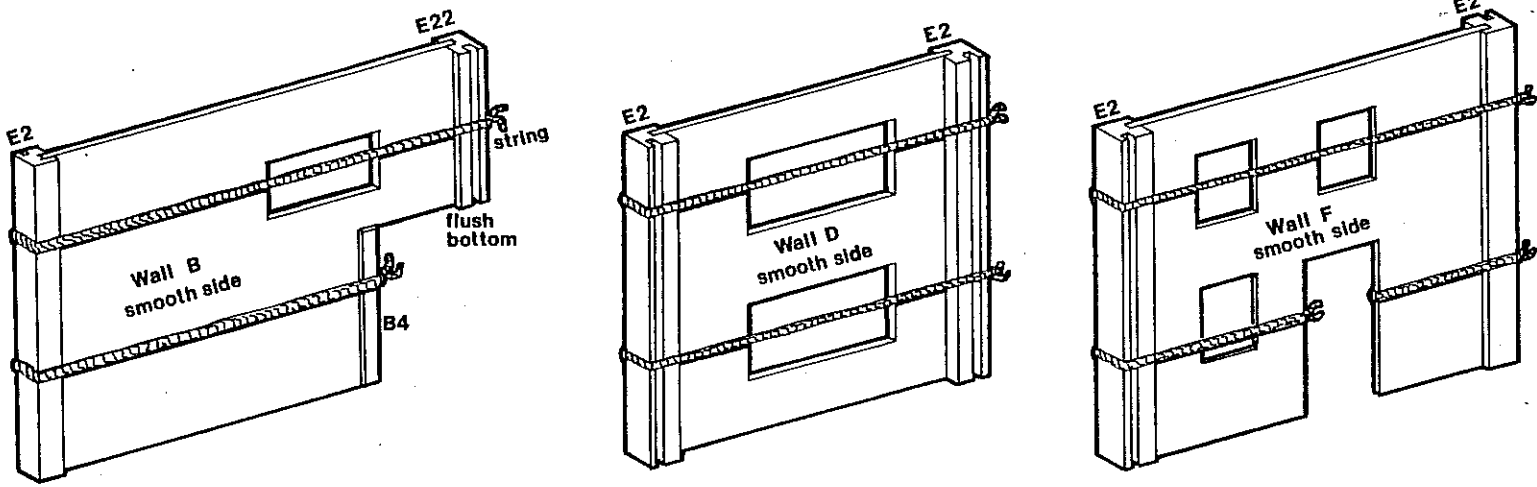


STEP 2 - Base Assembly - Arrange base parts as shown; note position of panel C-7. Practice assembly without glue first. Then glue together using tape to hold panels together and weights (such as books) to apply downward pressure. Keep assembly square. Note base is assembled upside down; when dry, turn right side up and mark the Front side for future reference.

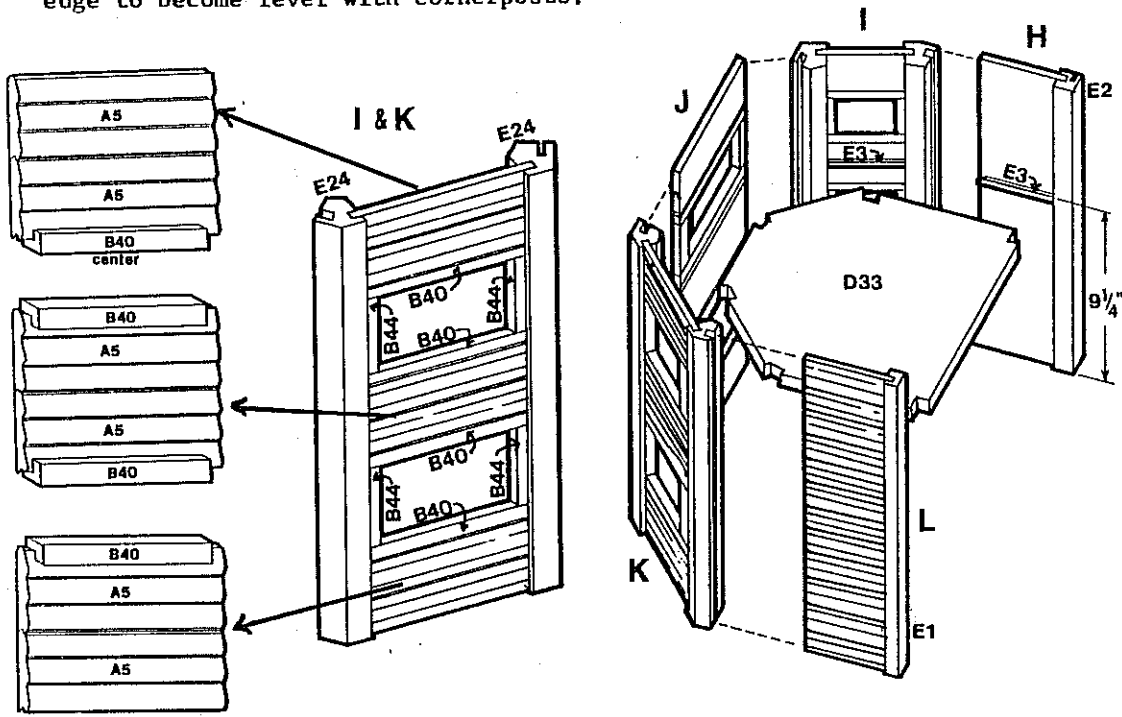


STEP 3 - Siding - Without glue, arrange all siding parts as shown for walls A through G plus Walls H and L. (Walls I, J, K are made in later step). Note tongue edge faces up and groove edge faces down. Include window and door spacers. Notch ends of B-34 with 1/4" x 1/4" notches as shown.

Working on wax paper covered table, glue parts together using masking tape or rubber bands to keep siding tightly together. Apply weights to keep flat. Make sure walls are square. NOTE: Slight variations in siding length (up to 3/16") or some splintering of siding ends are not important since cornerposts and window casings will cover them.



STEP 4 - Note the difference between position of grooves in cornerposts (E-2 and E-22). Attach cornerposts to siding panels B, D and F made in Step 3 as shown. If fit is too snug, enlarge groove or sand a bevel on siding panel edges. Apply glue to cornerpost grooves, insert wall panels and tie with string to clamp. **NOTE:** Cornerposts may require trimming to be level with top of siding or siding may require trimming on top edge to become level with cornerposts.



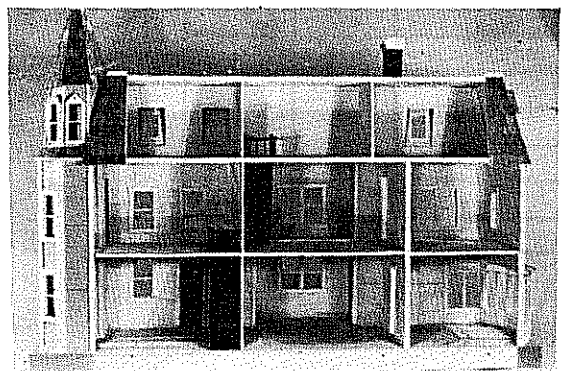
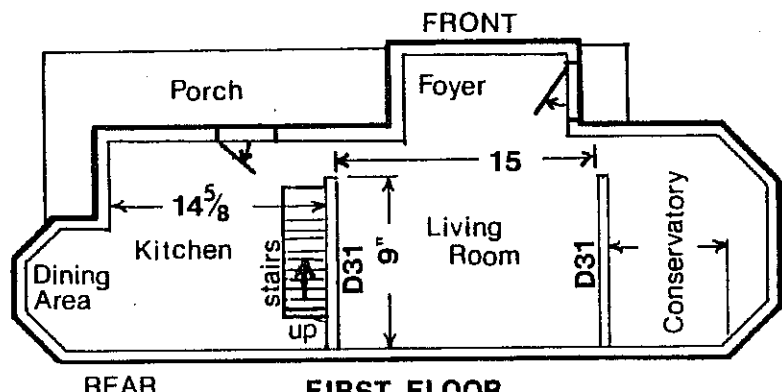
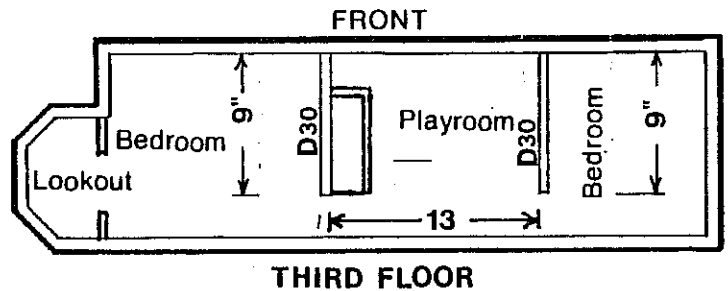
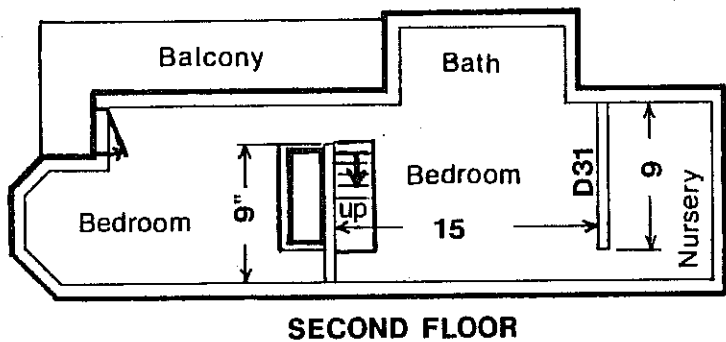
STEP 5 - Tower Walls - Make three of each pair of A-5 siding assemblies with B-40 as shown. Next, make up Walls I and K using these assemblies as shown glued to special cornerposts E-24.

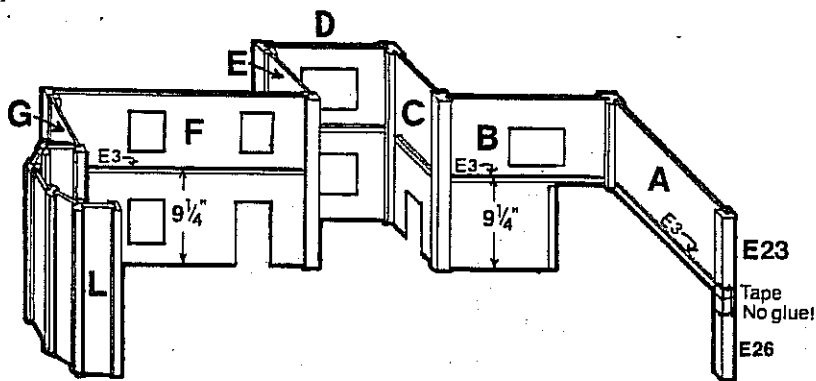
As in Step 4, glue siding panel L to cornerpost E-1 and panel H to cornerpost E-2 (note position of grooves); tie with string and let dry.

Install E-3 stip to inside of all tower wall assemblies just made. Top edge of E-3 should be 9-1/4" up. Floor D-33 will sit on top of these E-3 moldings.

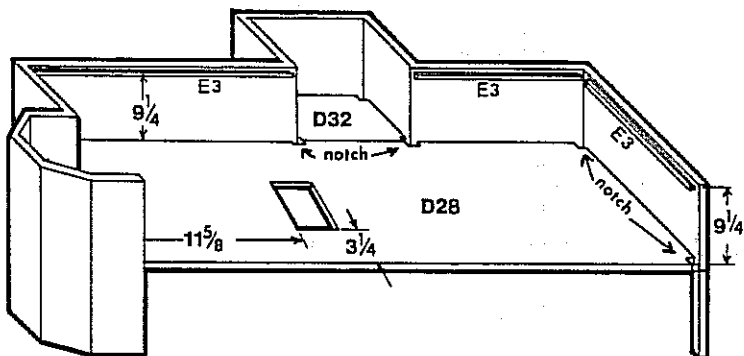
Finally, assemble all 5 tower walls as shown. **NOTE:** Wall J is assembled between I and K using the same parts as used for these walls. Glue D-33 floor in place above E-3 and tie tower with string to secure. Let dry.

STEP 6 - Study Floor plans to become familiar with assembly of walls and room layout.

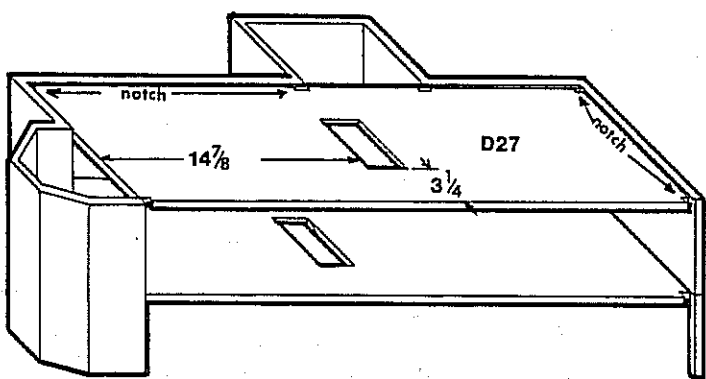




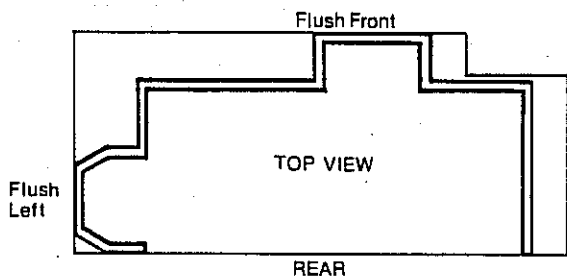
STEP 7 - Assemble all wall sections as shown in drawing (back view of house). Use tape to hold joints. Note detail drawing of position of E-26 to hold up short wall A. DO NOT glue this part now, use tape only. Keep house square.



STEP 8 - Install E-3 moldings on all inside walls as shown, 9-1/4" to top edge of E-3. Notch floors to fit around cornerposts and install on top of E-3. Floor should fit snugly against front and end walls. Square up house and tie with string to hold walls to floor panels. NOTE: Floor may appear to be undersized if walls are not fully inserted into cornerposts. Your floor can be adjusted for proper fit by sanding if too large or by covering gaps with more E-3 molding if too small.

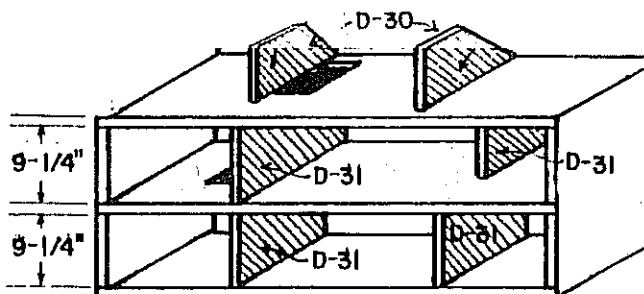


STEP 9 - Install upper set of E-3 as shown and third floor (D-27). Note dimensions for position of stair opening in floor. No floor is required in front wing (above D-32). Glue L-1 part on top of tower cornerposts. L-1 floor may be slightly higher than level with D-27.

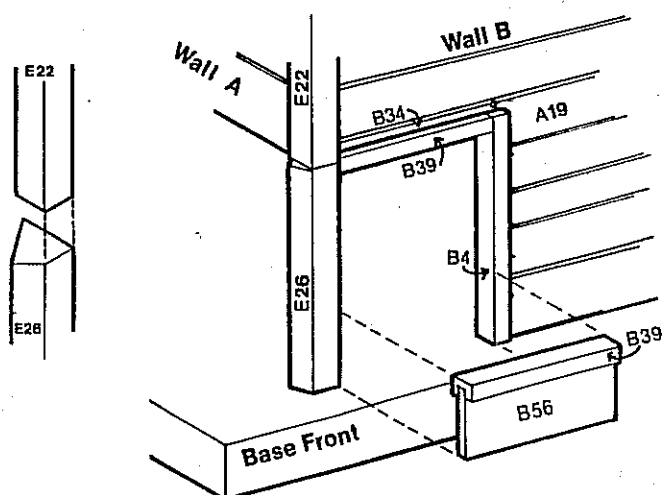


STEP 10 - Position house onto base as shown. Mark outline of house on base with pencil; remove house, apply liberal bead of glue along pencil line; replace house into glue; apply weights and let dry.

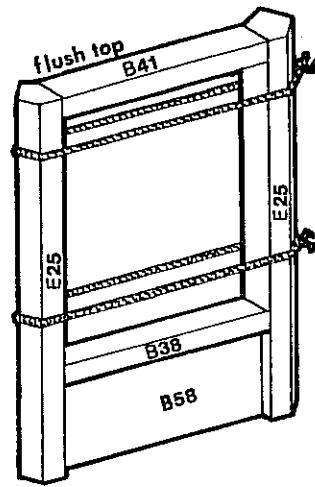
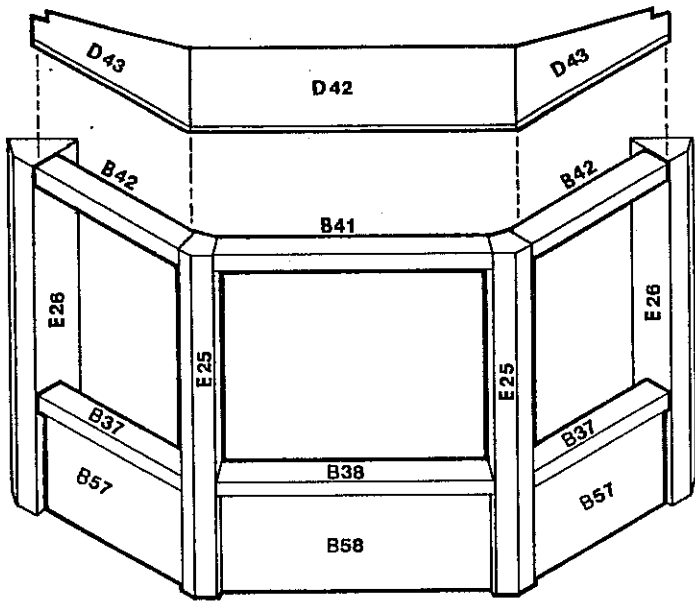
Install E-35 rear floor trim moldings on D-27 and D-28 floors. Trim to fit between cornerposts.



STEP 11 - Study Floor plans again for position of D-31 room dividers and install as shown. Do not install D-30 at this time.



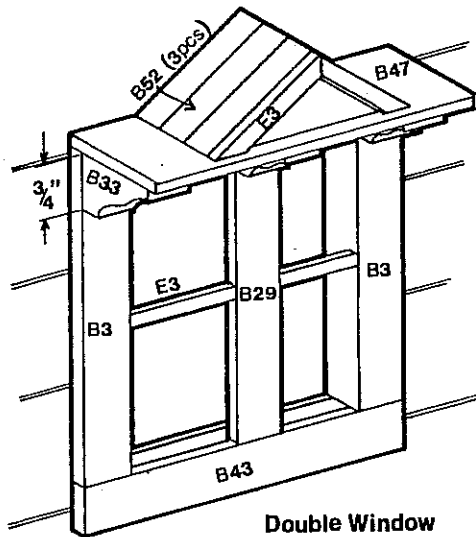
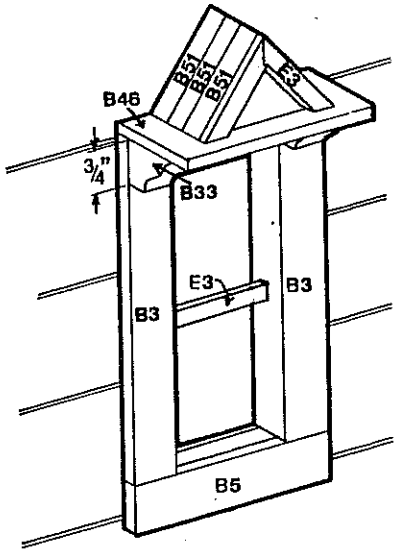
STEP 12 - Conservatory "Window Wall" - The drawing shows a front view of the left side of the house. Glue all parts as shown taking care to properly position post E-26.



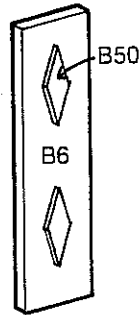
STEP 13 - Construct middle wall of Conservatory and tie with string as shown. Again, be careful to position E-25 posts properly.

Glue together remaining walls as shown. Remove temporary tape joint (rear E-26 to E-23 from Step 7) and glue together, once alignment of conservatory walls is finalized.

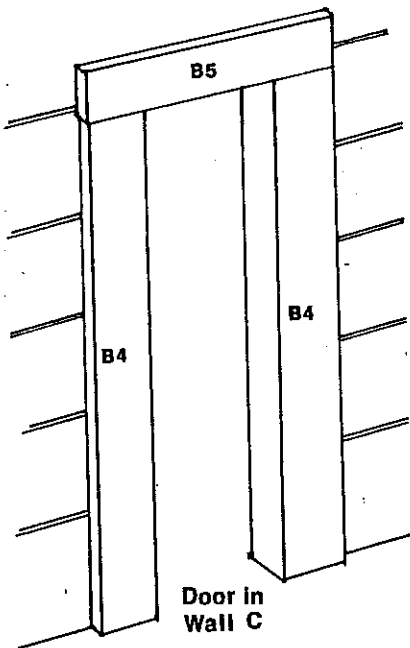
Attach roof parts (D-42 and D-43) with glue and tape to hold to house.



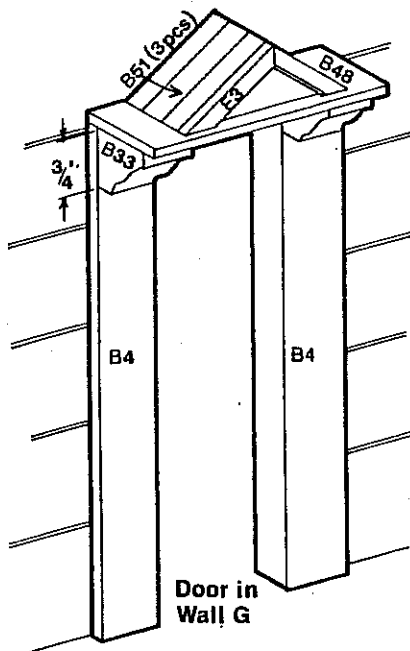
Double Window
in Walls B & D



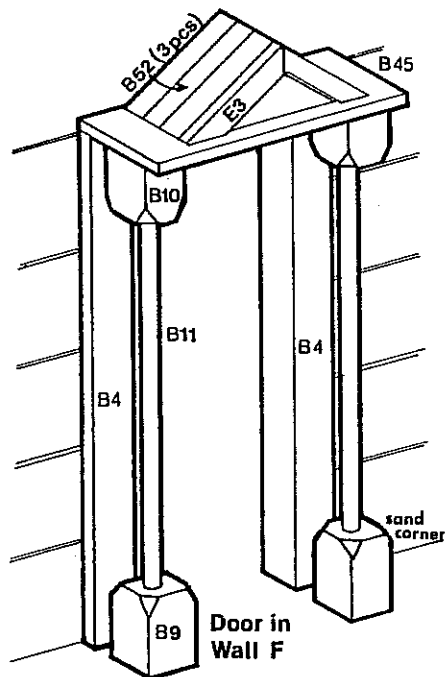
STEP 14 - Follow drawings carefully to install all window and door frame parts as shown. Make sure all openings are square. Trim parts B-5 are applied inside house on all single windows and doors. Use B-43 to trim inside of double windows. Make three doors as shown. Use tape to hinge doors to B-4 casings or purchase scale metal hinges if desired. Also assemble shutters and set aside to be installed after painting.



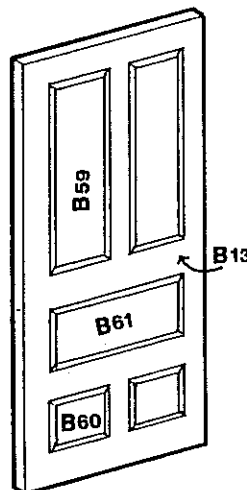
Door in
Wall C



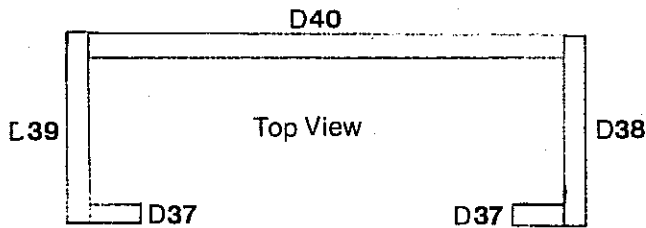
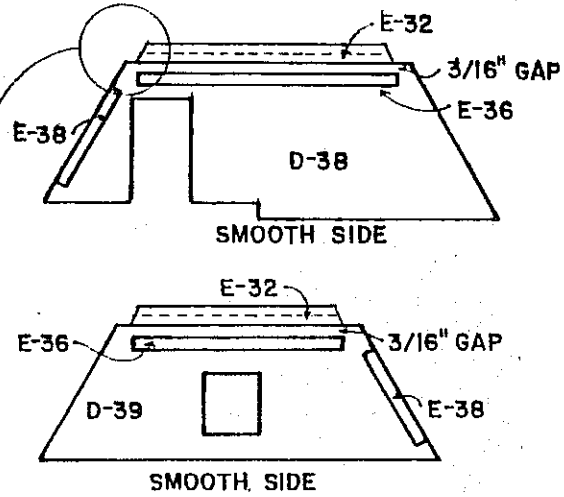
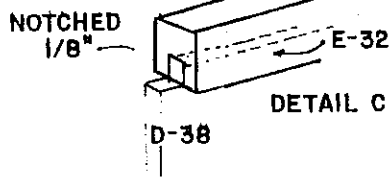
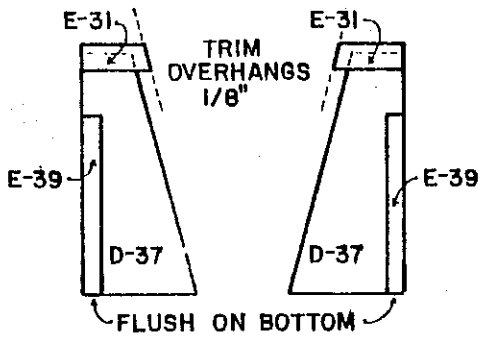
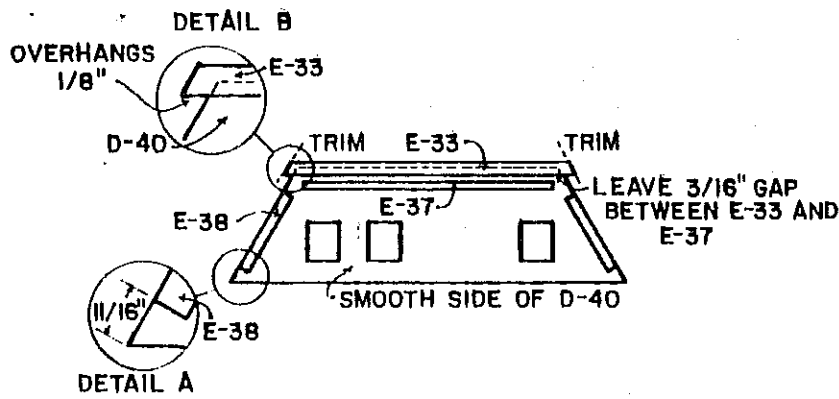
Door in
Wall G



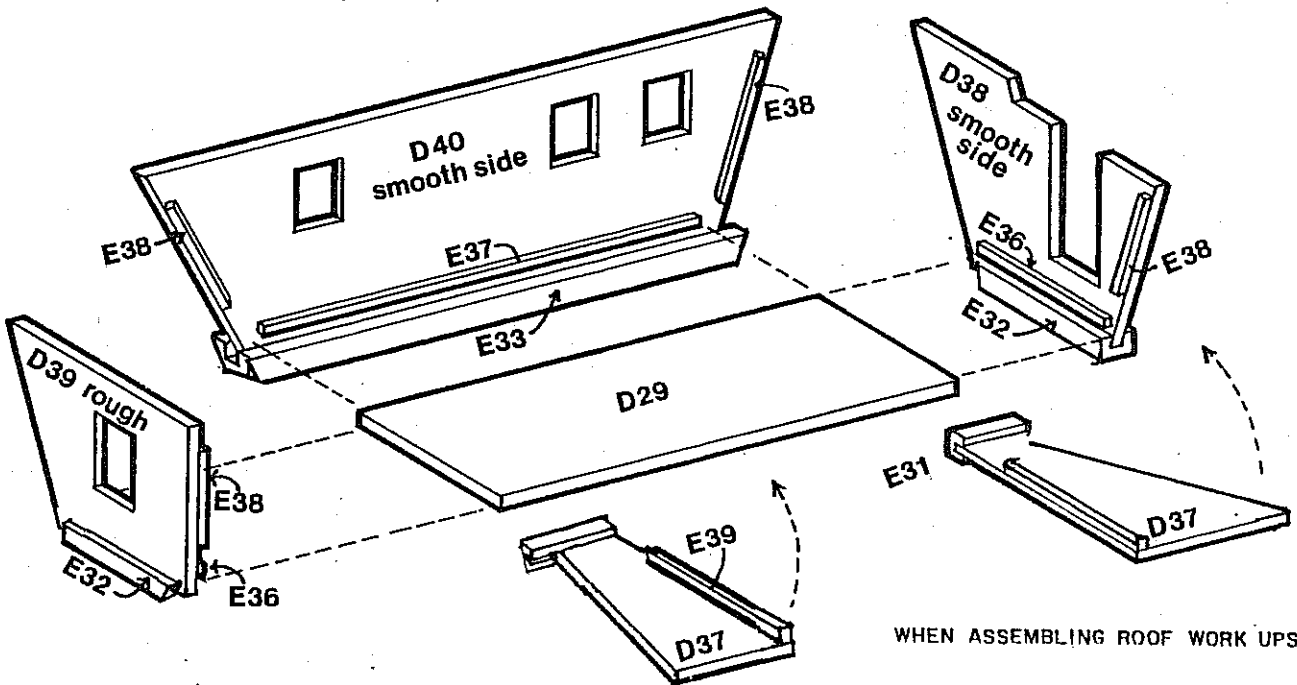
Door in
Wall F



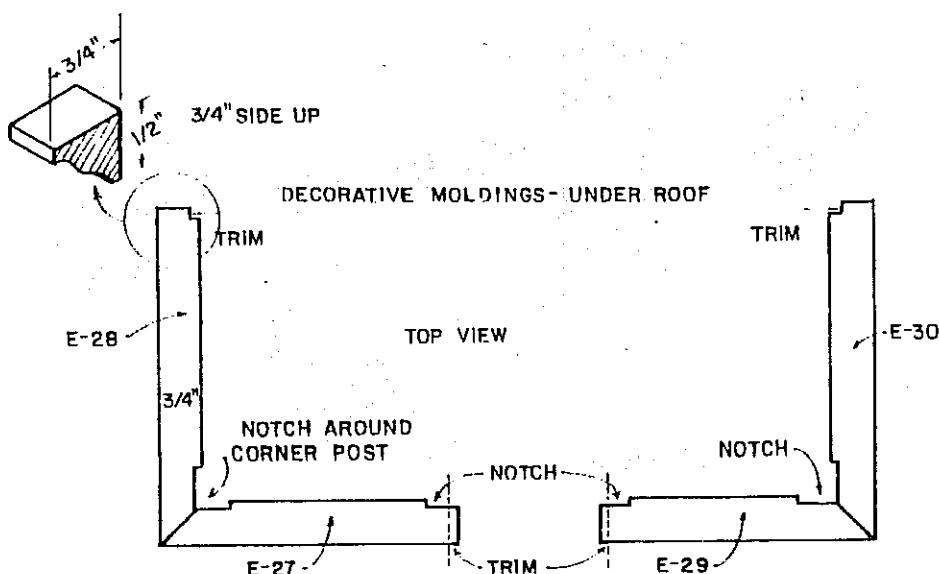
STEP 15 - Prepare main roof panels as shown. Pay close attention to all detail drawings with instructions on part placement and trimming. If fit of roof panels in molding groove is too snug either enlarge groove or sand bevel on edge of roof panel. As shown in Detail C, the D-38 roof panel should be notched 1/8" on both top corners. Make similar notches on D-39. All trimming of moldings should be at same angle as roof panel.



STEP 16 - Practice assembly of roof panels without glue. Note in top view drawing how panels go together. Position D-29 panel to help square up assembly. When satisfied with fit of parts, glue together using masking tape to hold. Install rear roof trim (E-34) to back edge of D-29. Since assembly is upside down, the assembled roof should look like an open box with tapered sides.



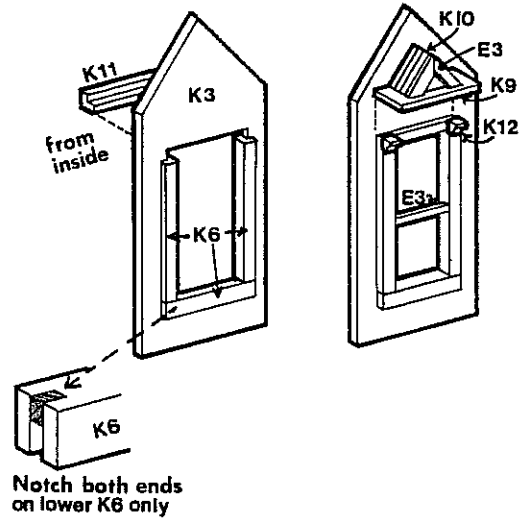
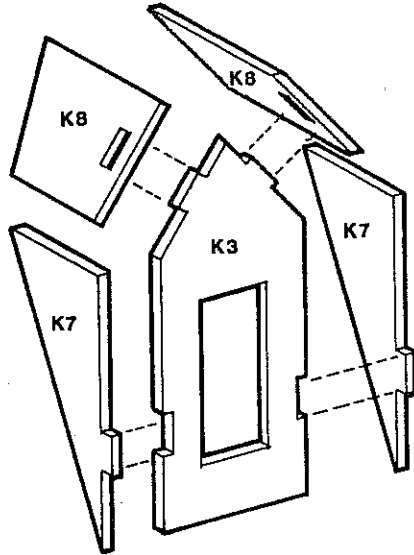
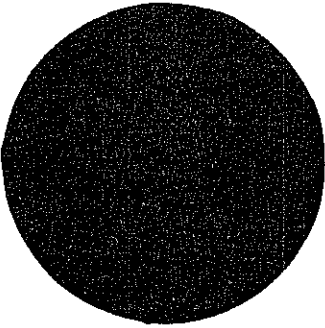
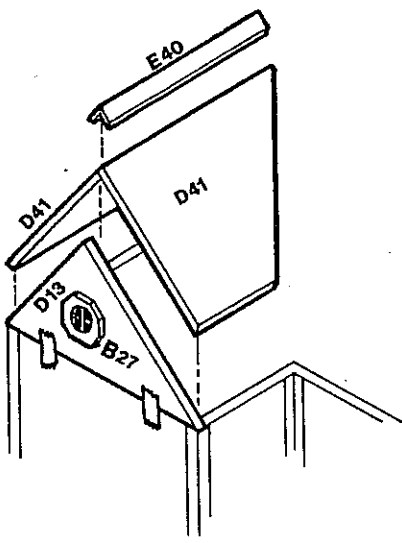
STEP 17 - Refer back to diagram for Step 11 to determine placement of D-30 dividers. Glue these in place and secure with tape or scrap parts to hold vertically. Let dry. Try roof assembly for fit on top of D-30 dividers. Notches in D-38 may require adjustment to fit over tower floor (L-1). Also, cornerposts may require trimming for uniform roof overhang. Front roof D-40 may need notching to fit over wing walls (C and E Walls). Diagram above shows position of decorative moldings which are placed under roof overhang. Part E-30 may require notching to fit over B-51 (triangular door trim).



No. 516
\$2.29

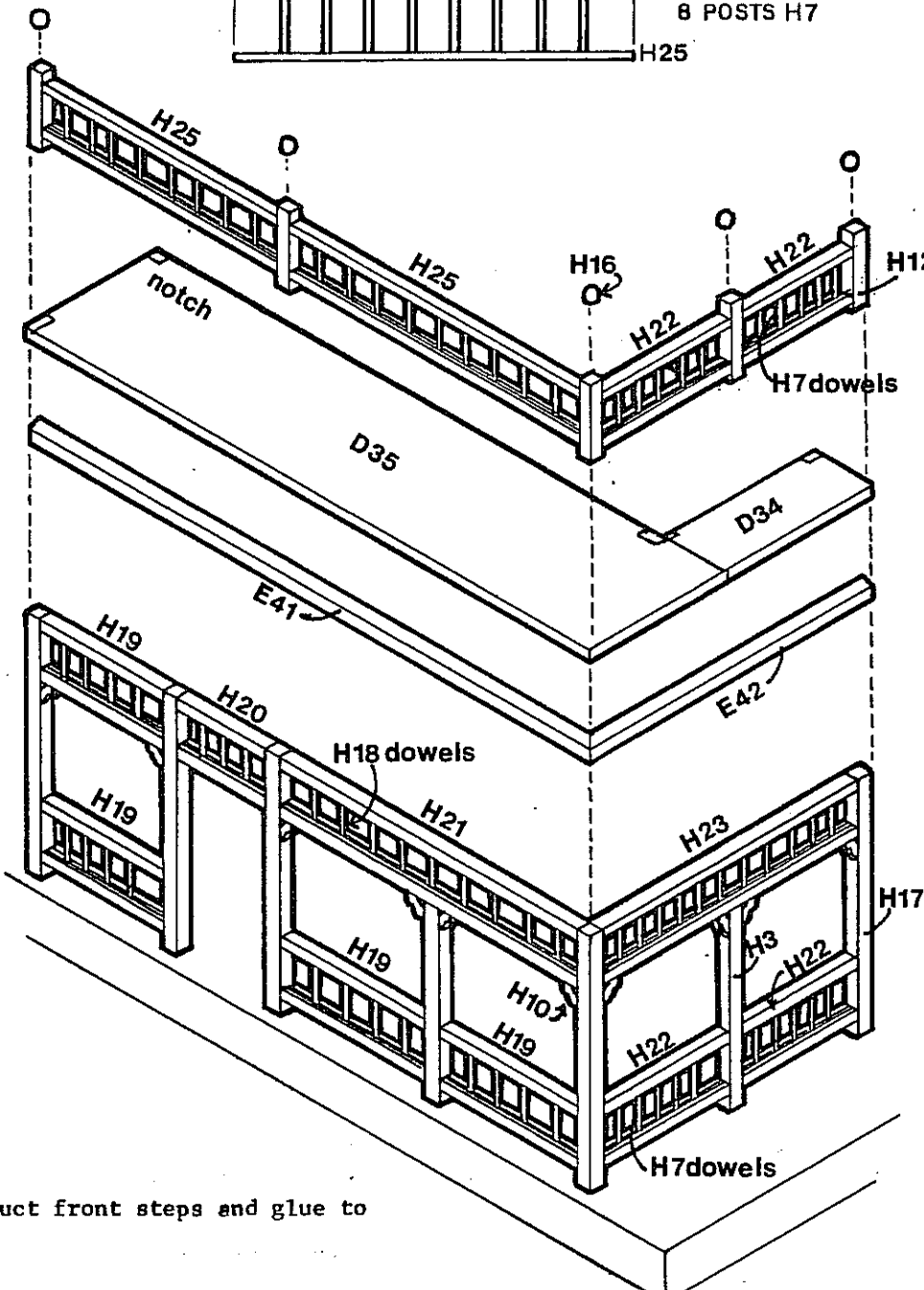
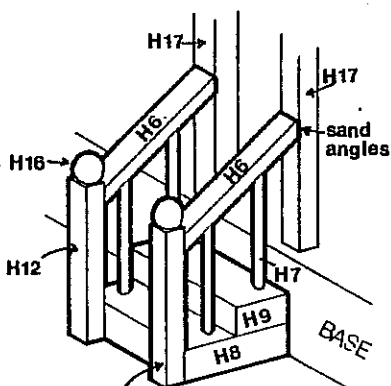
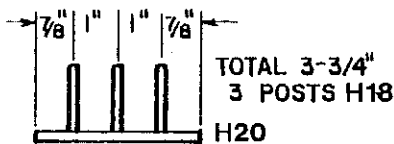
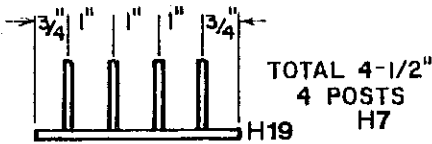
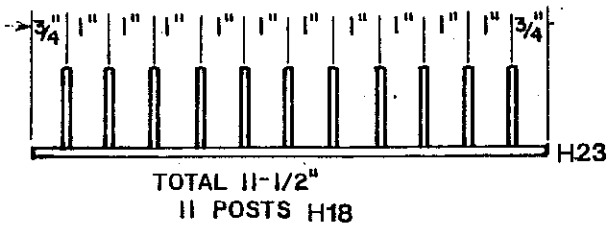
STEP 18 - Glue gable triangle D-13 onto front wing and tape. Cut out black circle and glue behind B-27 octagon window to simulate window opening. Glue B-27 onto gable triangle. Attach roof parts.

STEP 19 - Assemble dormers as shown and attach to roof.

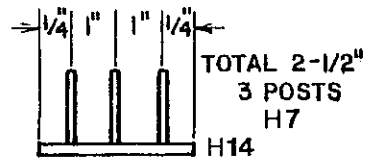
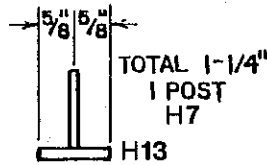
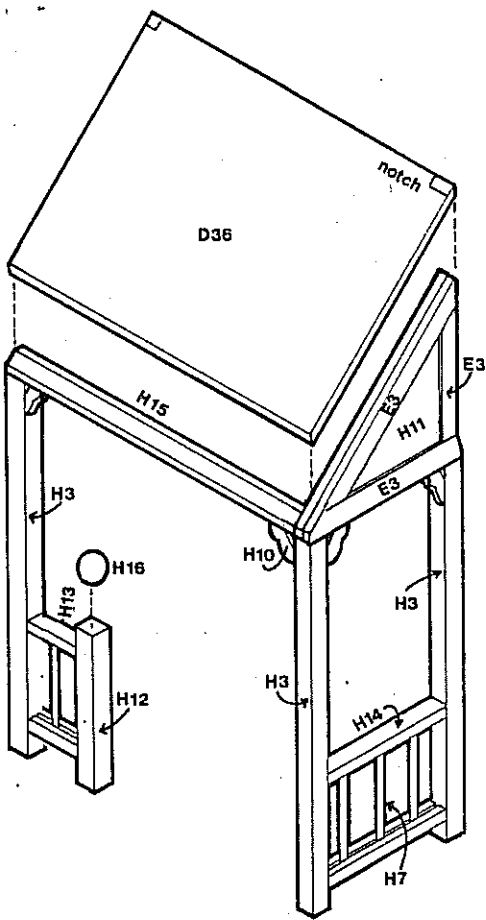


STEP 20 - Make up all railing assemblies as shown. Follow diagrams for spacing of dowels. Note difference between H-7 and H-18 dowel length. Keep railings square.

Assemble lower porch first by working from left to corner and then back to tower wall. Make sure post and railing assemblies are straight and spaced equally from house wall. Start by gluing an H-17 post to the E-2 cornerpost of front wing and assemble all parts as shown. Glue E-41 and E-42 on top. Notch D-35 and D-34 to fit around cornerposts and glue on top. Assemble balcony posts and railings as shown.



Construct front steps and glue to base.



STEP 21 - Service porch attaches to left side of front wing (Wall C). Make railing sections as shown and assemble all porch parts.

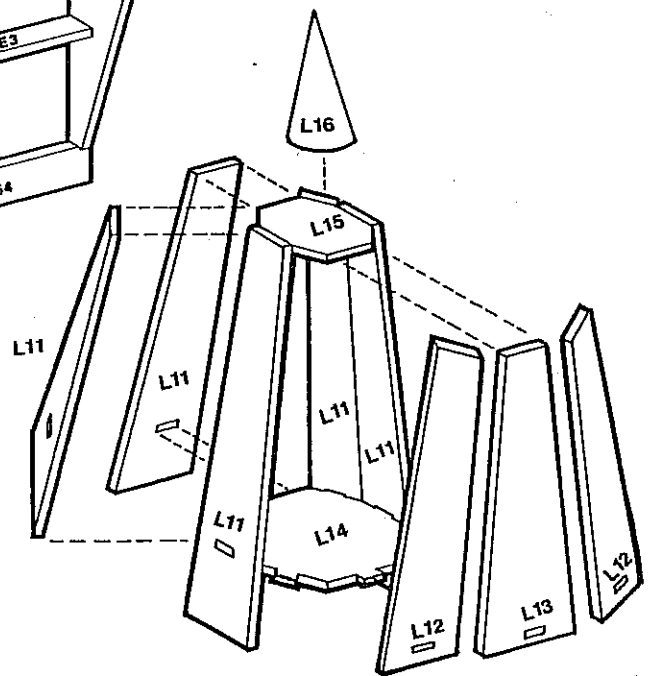
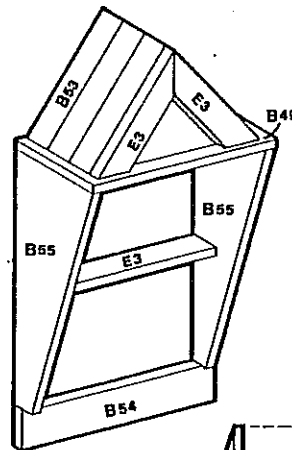
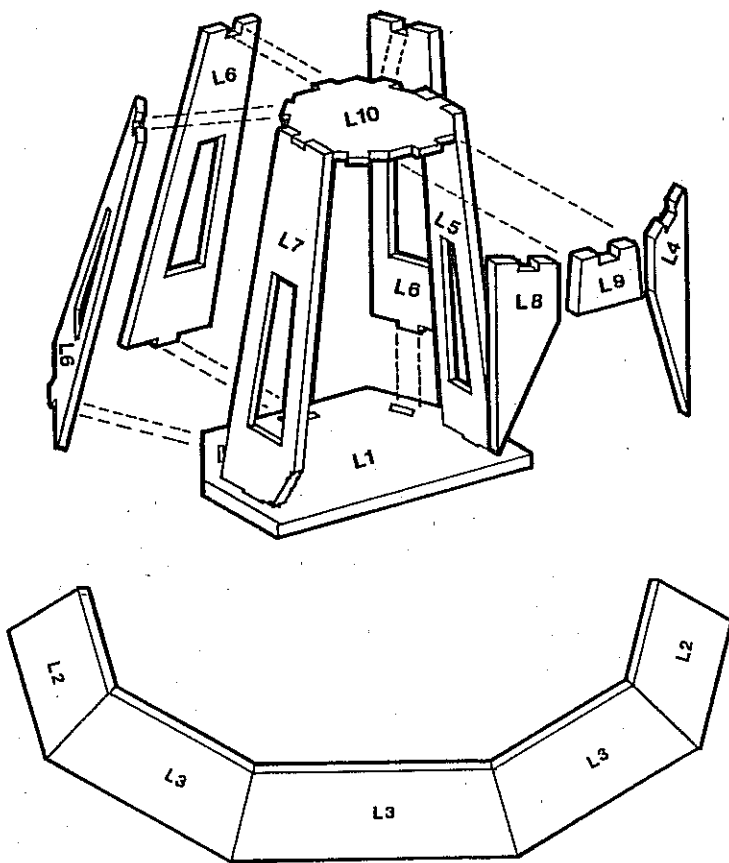
Follow drawing and instructions in Step 20 to make another set of steps for the service porch.

STEP 22 - Try the assembly of Tower Lookout parts as shown without glue. When satisfied with alignment, glue together and wrap with tape.

Install window parts.

Glue completed assembly onto tower. Some sanding may be needed to blend rear of lookout into side roof. Cover gaps between wall sections (L-4 thru L-9) with E-3 strips.

Attach roof parts L-2 and L-3. Cover with roof shingles to hide gaps.



STEP 23 - Assemble tower steeple as shown. Glue on top of lookout room.



ELECTRIC LIGHTING KIT \$34.95

Complete materials to wire any doll house. Includes 12 volt plug-in transformer (1 amp) 50 ft. wire; 4 plug/outlet sets; 2 lamps and 2 fuses; connection block & hardware.

CUSTOMIZE YOUR DOLL HOUSE

DOORKNOB



Brass with nail - 1/4"
No. 511 \$.75 ea.

HINGES



3/4 x 1"
Brass with pins.
No. 508 \$1.29/pr
(1 pkg. per door)

ORDER BY MAIL

Plus Shipping & Handling

up to \$1 add 60¢
up to \$5 add \$1.25
up to \$10 add \$1.75
over \$10 add \$2.25

GLUE GUN



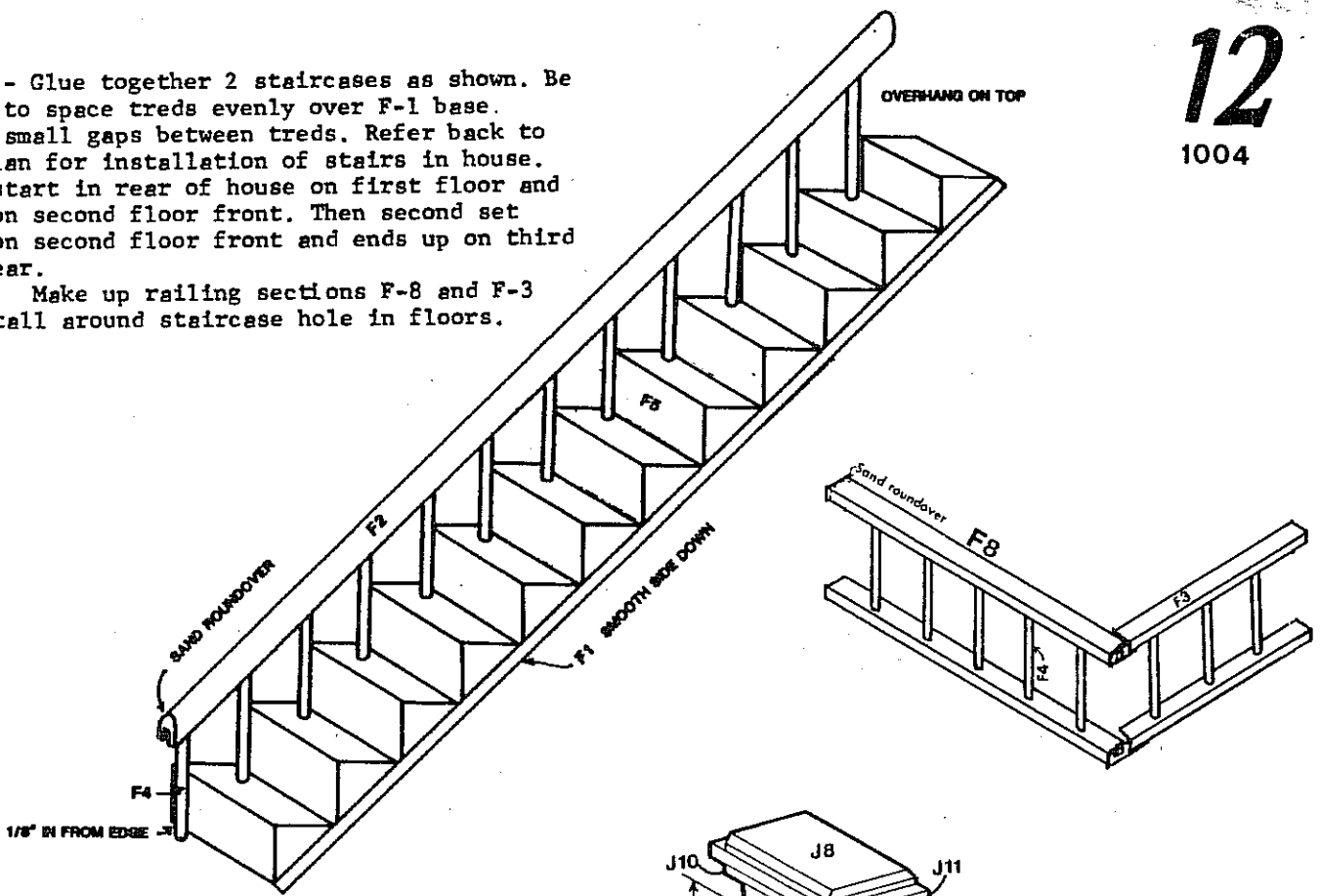
Electric glue gun with six sticks of thermal glue.

Ideal for doll house assembly.

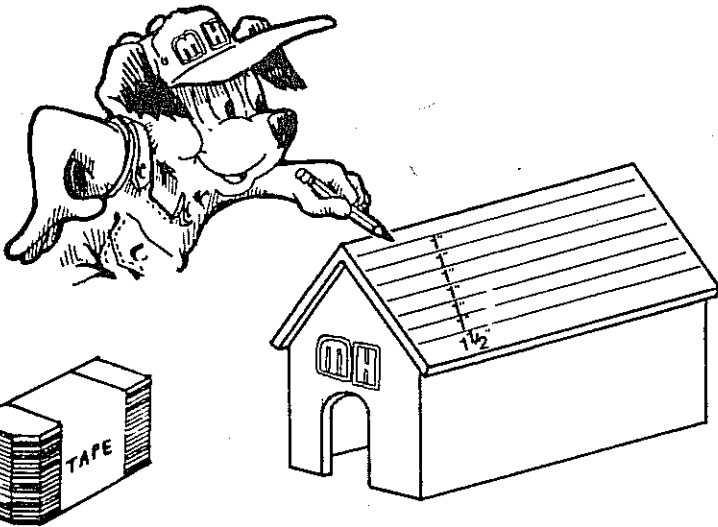
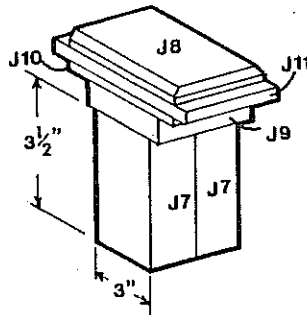
No. 528 \$12.95
No. 529 \$2.50
Extra Glue
12 Sticks

STEP 24 - Glue together 2 staircases as shown. Be careful to space treads evenly over F-1 base. leaving small gaps between treads. Refer back to floor plan for installation of stairs in house. Stairs start in rear of house on first floor and end up on second floor front. Then second set starts on second floor front and ends up on third floor rear.

Make up railing sections F-8 and F-3 and install around staircase hole in floors.



STEP 25 - Assemble chimney as shown.

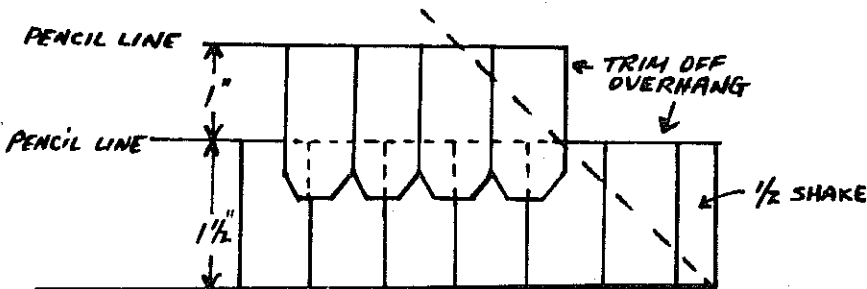


STEP 26 - Roof Shakes - Draw pencil lines on all roof surfaces. The first line 1-1/2" up then spaced 1" apart. Separate shingles from scored sheets by cutting along score lines with razor knife. **DO NOT** break apart or you will tear and waste shingles. Glue on shakes so that one row overlaps the row below as shown in drawing. Fancy shakes are easily made by bundling up shakes and cutting the corners off with a sharp craft knife or razor. With liquid glues some curling of shakes may occur requiring taping to hold flat. The use of an electric glue gun avoids this problem and speeds up the shingling operation.

STEP 27 - Finishing Touches - Install E-3 as baseboard molding all around perimeter of house, both inside and out.

Give your house a final sanding and prepare for painting and decorating. If you plan to have working electric lights in your house, now is the time to install a wiring system. Model Homes complete electric kit is available at your dealer or order by mail.

Congratulations! - Your miniature house is now completed. Take a minute to step back and admire your own work.



-----MISSING PARTS ?-----

Every effort has been made in the packing and manufacturing of this kit to insure complete, quality parts. Your kit has been carefully inspected at various stages by our quality control inspectors, whose employee codes are punched below. If, however, your kit is missing parts or has broken parts, USE THIS FORM to order parts directly from us. Your order will be promptly shipped via 4th Class Mail at no charge. Allow 4 to 6 weeks for delivery. For faster service by United Parcel or First Class Mail, enclose \$2.00 for shipping.

List model number of your kit and part numbers on the reverse side of this form. Your order for missing parts must be mailed to us on this form for quality control checking. Telephone orders will not be accepted.

PACKING & INSPECTION

A B C D E F G H I J K L M 9 0

320	321	322	324	328	334	336	337	340	341
342	343	344	345	346	347	348	349	350	351
352	353	354	355	356	357	358	359	360	420

MODEL HOMES

Div. Colonial Craftsmen, Inc.

325 DIVISION STREET, BOONTON, N.J. 07005

(Please PRINT Clearly)

TO: NAME _____
 STREET _____
 CITY & STATE _____
 ZIP CODE _____